

1882 E.B.C. LP Automatic Airpot/Thermal Server Coffee Brewer

(with Hot Water Faucet)

Then new E.B.C. LP is a versatile Lo-Profile® coffee brewer that, at less than 18" tall, is small in stature but big on capacity. Easily fitting under standard cabinets, it can brew into any 2.2 liter airpot or 2.5 liter thermal servers. This E.B.C. system uses the standard Electronic Brew Control technology, with a touch keypad and lights, plus an audible signal. The lights and signal guide the user through the different brewer operations.

Features

- Lo-profile coffee brewer is **less than 18" tall**, easily fitting under any standard cabinet.
- Brews into a **standard size airpot or thermal server** that is easily transportable to remote serving areas where coffee will remain preserved for optimal temperature and taste.
- **Precise brewing temperature** is established and maintained throughout the brew cycle, providing cold brew lockout and ensuring full flavored coffee and faster brewer recovery.
- **Countdown Quality Timer™** will signal the end of preset coffee holding time.
- **After Hours™ Mode** will automatically reduce water temperature when not in use, saving energy and increasing component life.
- **Brew cycle timer** alerts user when brew is complete and eliminates the risk of double brewing.
- **A high level of commonality of parts** with other Bloomfield models will significantly reduce the inventory of spare parts required to service many body styles.
- Exclusive design provides **easy access to components** for quick service.
- **Water volume adjustments** can be made with ease, no panels to remove or tools required.
- **Electronic sensor** recognizes water temperature extremely accurately for more consistent product.

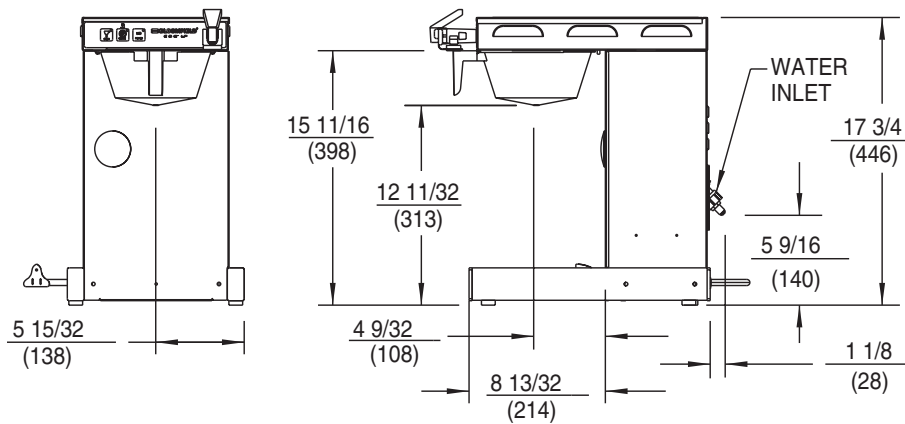
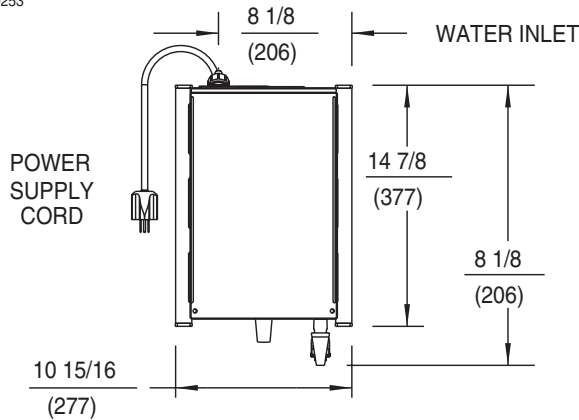


1882 (with optional 7759)

- **Superior sprayhead design** spreads water over the coffee grounds, creating agitation and a floating action that completely saturates the coffee to capture the full, rich essence.
- **Unique water valve with built-in flow control** on automatic models assures consistent operation at 20-80 p.s.i.
- **One-piece drawn stainless steel water tank** has a superior design for extended life.
- **Independent front-mounted hot water faucet** allows drawing of hot water without affecting coffee taste or brewing cycle.
- **Rugged base rails** provide stability and strength, while minimizing brewer height and locating placement of airpot.
- High quality easy to clean **stainless steel construction**.

Accessories

Bloomfield offers a full line of airpot, thermal servers and coffee grinders.



SPECIFICATIONS:

MODELS	WATTS	VOLTS	AMPS	PHASE	POWER SUPPLY CORD
1882	120	1800	15.0	SINGLE	NEMA 5-15P
🇨🇦 1882CA	120	1500	12.5	SINGLE	NEMA 5-15P

🇨🇦 Meets Canadian standards.

NOTE: Specifications are subject to change without notice and are not intended for installation purposes. See operation and maintenance manual for complete instructions.

ACCESSORIES: See the Bloomfield Brew product catalog for a complete listing of brewers and accessories.



BLOOMFIELD INDUSTRIES
 2 ERIK CIRCLE, PO BOX 280, VERDI, NV 89439 U.S.A.
 (888) 356-5362 • FAX (800) 356-5142 • www.wells-mfg.com
 Export: (775) 345-0444 • (775) 345-8232
 5850 KEATON CRESCENT, MISSISSAUGA, ONTARIO L5R 3K2 CANADA
 (905) 507-1700 • FAX (905) 507-1777 • www.bloomcan.com
 ©2002 BLOOMFIELD INDUSTRIES • PRINTED IN THE U.S.A.
 02/02 • REV (-) • PART NO. 75775

