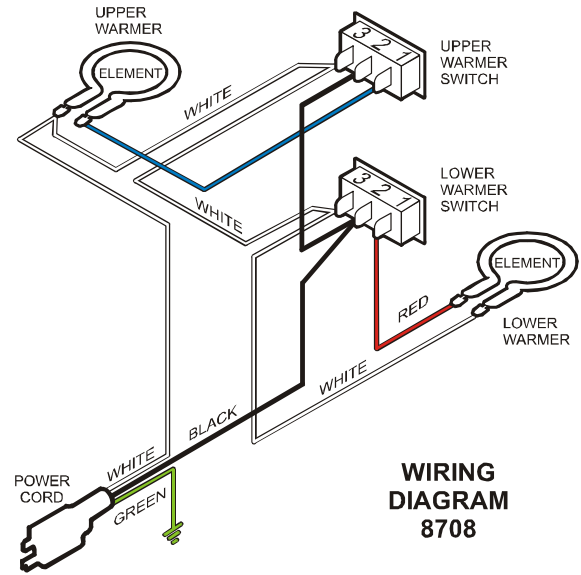
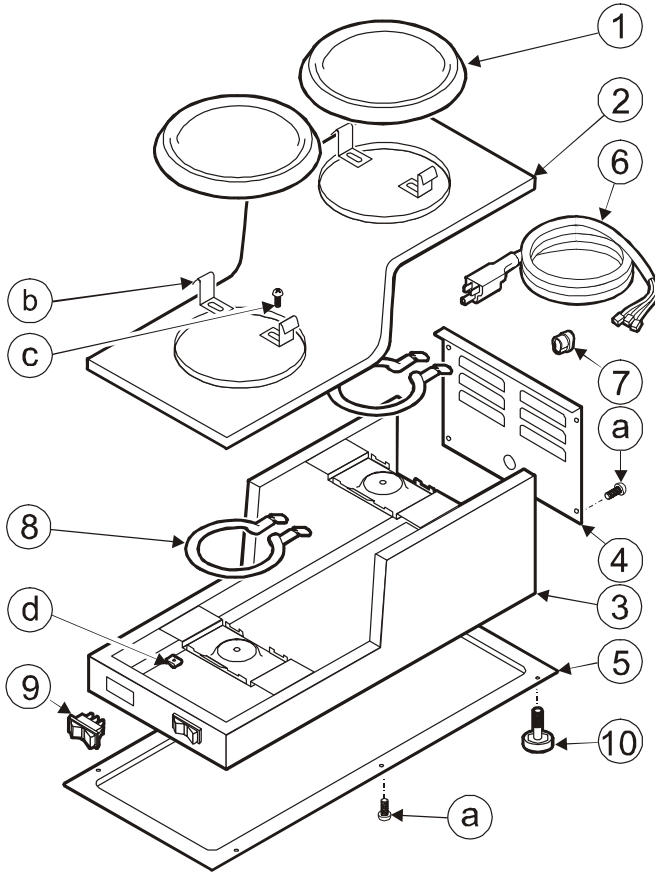




BLOOMFIELD® Industries

2 ERIK CIRCLE, P.O.Box 280
 Verdi, Nevada 89439 USA
 telephone (775) 689-5700
 fax (888) 492-2783
 www.wellsbloomfield.com

REPLACEMENT PARTS LIST
MODEL 8708 STEP-UP DOUBLE WARMER



ITEM	DESCRIPTION	P/N
1	WARMER COVER PLATE	8700-16
2	TOP PANEL	8553-3
3	BODY, STEP-UP WARMER	81206
4	BACK PANEL	8553-4
5	BOTTOM PLATE ASSEMBLY	8553-11
6	POWER CORD	8841-8
7	STRAIN RELIEF	35-210
8	ELEMENT, WARMER	8572-18
9	SWITCH, LIGHTED	6710-23
10	LEG ASSEMBLY, LEVELLING	81732
a	SCREW 8x3/8" PH HD	8861-23
b	CLIP, RETAINING	8543-80
c	SCREW 8-32x3/8" TAPPING	7506-30
d	NUT, TINNERMAN	8543-23