

ITEM# _____

PROJECT _____

DATE _____

12 Cup Automatic Coffee Brewer

Features

12 Cup Automatic Coffee Brewer

- Brews 3.8 to 7.5 gallons (14.4 to 28.4 liters) of perfect coffee per hour.
- Model is space-saving 8.5" (21.6 cm) wide.
- Black decor construction (stainless steel optional).
- Hot water faucet except on CWT models (see back).
- Pourover feature on all models.
- SplashGard® funnel deflects hot liquids away from the hand.
- International electrical configurations available.



Model CWTF15-3T
(decanters sold separately)

Dimensions: 18.9" H x 8.5" W x 17.8" D
(48cm H x 21.6cm W x 45.2cm D)



Model CWTF15-2
(decanters sold separately)

Dimensions: 18.9" H x 8.5" W x 17.8" D
(48cm H x 21.6cm W x 45.2cm D)



Model CWTF15-1
(decanters sold separately)

Dimensions: 16.8" H x 8.5" W x 17.8" D
(42.7cm H x 21.6cm W x 45.2cm D)

For current specification sheets and other information, go to www.bunn.com.

Related Products

Easy Clear® EQ-17-TL

Product No. : 30200.1000

Dimensions:

12⁷/₁₆" H x 2¹/₂" W x 3" D
31.6 cm H x 6.35 cm W x 7.62 cm D



Easy Clear® ED-17-TL

Product No. : 30201.1001

Dimensions: 8¹/₄" H x 2⁵/₁₆" Dia.

20.95 cm H x 5.87 cm Dia.

Easy Pour® black decanter

Product No. : 06100.0201

Quantity: 1 (also packaged in quantities of 3 & 24)



Easy Pour® orange decanter (for decaf)

Product No. : 06101.0201

Quantity: 1 (also packaged in quantities of 3 & 24)



WX1-warmer

Product No. : 06450.6000

One position warmer



WX2-warmer

Product No. : 06310.6000

Two position warmer



Paper Filter Pack




Product No. : 20115.6000

Packed per case: 1,000

Dimensions: 4¹/₄" Base x 2³/₄" Sidewall

10.8 cm Base x 6.98 cm Sidewall



| Model | Agency Listing |
|--------|---|
| CWTF15 |  |
| CWTF35 |  |
| CWT15 |  |

Dimensions & Specifications



| Model | Product # | Volts | Amps | Tank Htr Watts | Total Watts | Capacity per hour | Cubic Ft. ³ /m ³ | Weight lbs./kg. | Cord Attached |
|--------------|------------|---------|------|----------------|-------------|---------------------|--|-----------------|---------------|
| CWTF15-1* | 12950.6031 | 120 | 11.5 | 1150 | 1250 | 3.8 gal./14.4 liter | 3.9/.12 | 27 /12.3 | Yes |
| CWTF15-2* | 12950.6033 | 120 | 11.5 | 1150 | 1350 | 3.8 gal./14.4 liter | 3.9/.12 | 32 /14.5 | Yes |
| CWT15-3T* | 12950.6013 | 120 | 12.5 | 1150 | 1250 | 3.8 gal./14.4 liter | 3.9/.12 | 33 /14.9 | Yes |
| CWTF15-3T** | 12950.6037 | 120 | 12.5 | 1150 | 1450 | 3.8 gal./14.4 liter | 3.9/.12 | 33 /14.9 | Yes |
| CWTF15-3T* | 12950.6038 | 120 | 12.5 | 1150 | 1450 | 3.8 gal./14.4 liter | 3.9/.12 | 33 /14.9 | Yes |
| CWTF35-3T* | 12950.6053 | 120/208 | 15.1 | 2625 | 2975 | 7.5 gal./28.4 liter | 3.9/.12 | 33 /14.9 | No |
| | | 120/240 | 17.1 | 3500 | 3850 | 7.5 gal./28.4 liter | 3.9/.12 | 33 /14.9 | No |
| CWTF35-3T*** | 12950.6066 | 120/208 | 15.1 | 2625 | 2975 | 7.5 gal./28.4 liter | 3.9/.12 | 33 /14.9 | No |
| | | 120/240 | 17.1 | 3500 | 3850 | 7.5 gal./28.4 liter | 3.9/.12 | 33 /14.9 | No |
| CWT35-3T* | 12950.6029 | 120/208 | 15.1 | 2625 | 2975 | 7.5 gal./28.4 liter | 3.9/.12 | 33 /14.9 | No |
| | | 120/240 | 17.1 | 3500 | 3850 | 7.5 gal./28.4 liter | 3.9/.12 | 33 /14.9 | No |

* Black Trunk and Black Plastic Funnel

** Stainless Trunk and Black Plastic Funnel

*** Black Trunk and Stainless Funnel

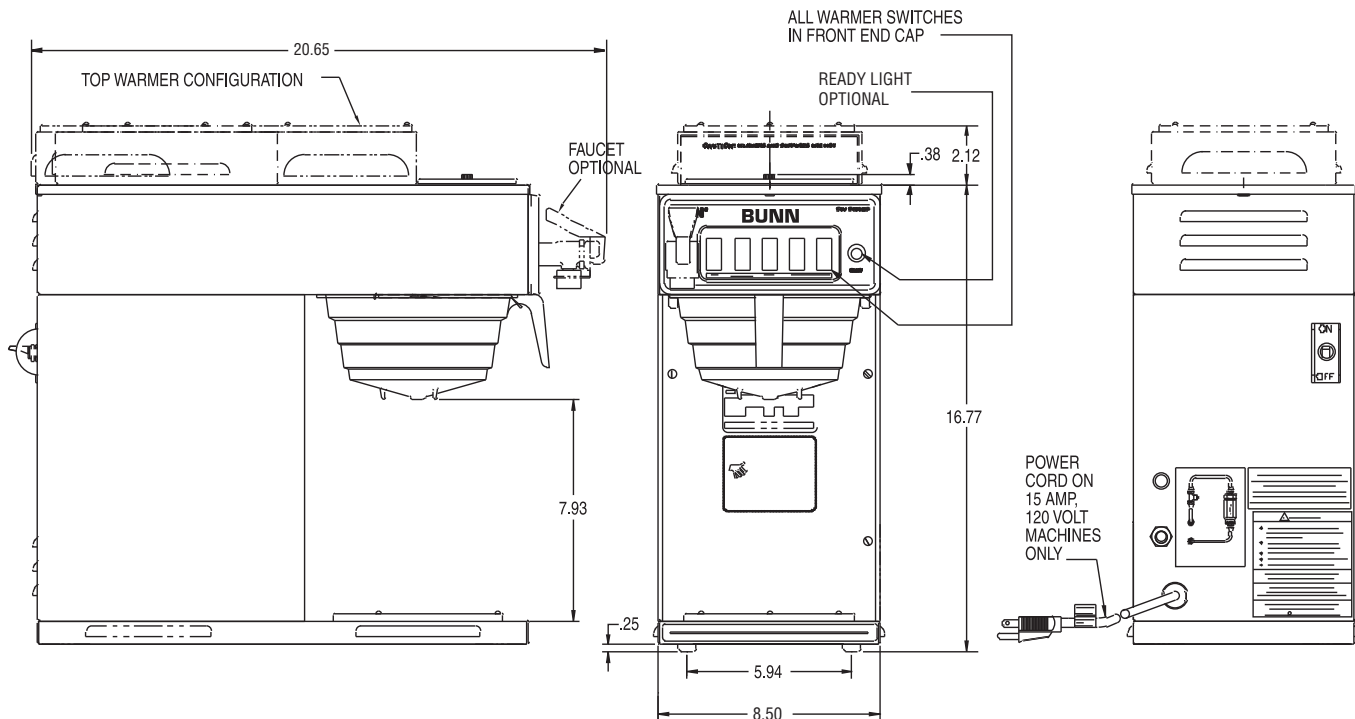
Brewing capacity: based upon incoming water temp of 60°F (140°F rise) per 1/2 gallon brew time of 4 minutes.

Models listed as 120/208V or 120/240V must be connected to 208V or 240V electrical service respectively. Please refer to the installation manual.

Electrical: Model 15 requires 2-wires plus ground service rated 120V, single phase, 60 Hz.

Model 35 requires 3-wires plus ground service rated 120/208 or 120/240V, single phase, 60 Hz.

Plumbing: 20-90 psi (138-621 kPa). Machine supplied with 1/4" male flare fitting.



Bunn-O-Matic Corporation of Canada - 280 Industrial Pkwy. S. Aurora, Ontario L4G 3T9 • 905-841-2866 • Fax 905-841-2775 • www.bunn.com

BUNN® practices continuous product research and improvement. We reserve the right to change specifications and product design without notice. Such revisions do not entitle the buyer to corresponding changes, improvements, additions or replacements for previously purchased equipment.

All dimensions shown in inches. Bunn Corporation owns all copyrights relating to materials in this publication. Please contact Bunn Corporation to request permission to reproduce any portion of this publication.