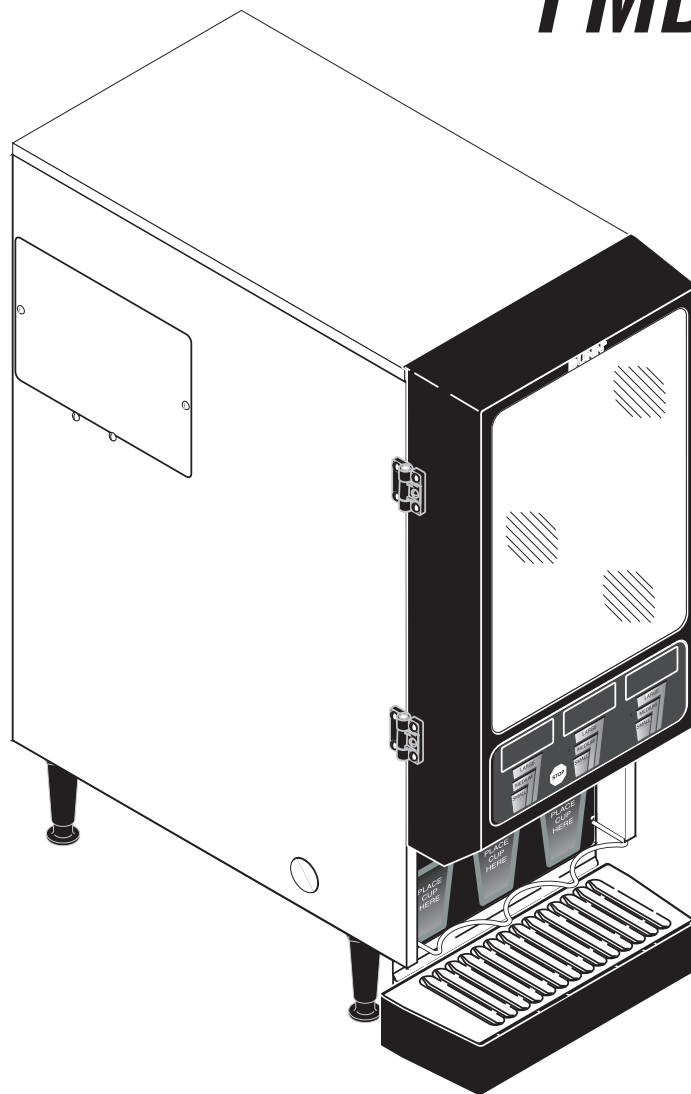


BUNN®

FMD DBC-3
FMDA DBC-3
SN FMD0013000-UP



INSTALLATION & OPERATING GUIDE

BUNN-O-MATIC CORPORATION

POST OFFICE BOX 3227

SPRINGFIELD, ILLINOIS 62708-3227

PHONE: (217) 529-6601 FAX: (217) 529-6644

To ensure you have the latest revision of the Operating Manual, or to view the Illustrated Parts Catalog, Programming Manual, or Service Manual, please visit the Bunn-O-Matic website, at www.bunn.com. This is absolutely FREE, and the quickest way to obtain the latest catalog and manual updates. For Technical Service, contact Bunn-O-Matic Corporation at 1-800-286-6070.



BUNN-O-MATIC COMMERCIAL PRODUCT WARRANTY

Bunn-O-Matic Corp. ("BUNN") warrants equipment manufactured by it as follows:

- 1) All equipment other than as specified below: 2 years parts and 1 year labor.
- 2) Electronic circuit and/or control boards: parts and labor for 3 years.
- 3) Compressors on refrigeration equipment: 5 years parts and 1 year labor.
- 4) Grinding burrs on coffee grinding equipment to grind coffee to meet original factory screen sieve analysis: parts and labor for 3 years or 30,000 pounds of coffee, whichever comes first.

These warranty periods run from the date of installation BUNN warrants that the equipment manufactured by it will be commercially free of defects in material and workmanship existing at the time of manufacture and appearing within the applicable warranty period. This warranty does not apply to any equipment, component or part that was not manufactured by BUNN or that, in BUNN's judgment, has been affected by misuse, neglect, alteration, improper installation or operation, improper maintenance or repair, damage or casualty. This warranty is conditioned on the Buyer 1) giving BUNN prompt notice of any claim to be made under this warranty by telephone at (217) 529-6601 or by writing to Post Office Box 3227, Springfield, Illinois 62708-3227; 2) if requested by BUNN, shipping the defective equipment prepaid to an authorized BUNN service location; and 3) receiving prior authorization from BUNN that the defective equipment is under warranty.

THE FOREGOING WARRANTY IS EXCLUSIVE AND IS IN LIEU OF ANY OTHER WARRANTY, WRITTEN OR ORAL, EXPRESS OR IMPLIED, INCLUDING, BUT NOT LIMITED TO, ANY IMPLIED WARRANTY OF EITHER MERCHANTABILITY OR FITNESS FOR A PARTICULAR PURPOSE. The agents, dealers or employees of BUNN are not authorized to make modifications to this warranty or to make additional warranties that are binding on BUNN. Accordingly, statements by such individuals, whether oral or written, do not constitute warranties and should not be relied upon.

If BUNN determines in its sole discretion that the equipment does not conform to the warranty, BUNN, at its exclusive option while the equipment is under warranty, shall either 1) provide at no charge replacement parts and/or labor (during the applicable parts and labor warranty periods specified above) to repair the defective components, provided that this repair is done by a BUNN Authorized Service Representative; or 2) shall replace the equipment or refund the purchase price for the equipment.

THE BUYER'S REMEDY AGAINST BUNN FOR THE BREACH OF ANY OBLIGATION ARISING OUT OF THE SALE OF THIS EQUIPMENT, WHETHER DERIVED FROM WARRANTY OR OTHERWISE, SHALL BE LIMITED, AT BUNN'S SOLE OPTION AS SPECIFIED HEREIN, TO REPAIR, REPLACEMENT OR REFUND.

In no event shall BUNN be liable for any other damage or loss, including, but not limited to, lost profits, lost sales, loss of use of equipment, claims of Buyer's customers, cost of capital, cost of down time, cost of substitute equipment, facilities or services, or any other special, incidental or consequential damages.

AutoPOD, AXIOM, BrewLOGIC, BrewMETER, Brew Better Not Bitter, BrewWISE, BrewWIZARD, BUNN Espresso, BUNN Family Gourmet, BUNN Gourmet, BUNN Pour-O-Matic, BUNN, BUNN with the stylized red line, BUNNlink, Bunn-O-Matic, Bunn-O-Matic, BUNNserve, BUNNSERVE with the stylized wrench design, Cool Froth, DBC, Dr. Brew stylized Dr. design, Dual, Easy Pour, EasyClear, EasyGard, FlavorGard, Gourmet Ice, Gourmet Juice, High Intensity, iMIX, Infusion Series, Intellisteam, My Café, PowerLogic, Quality Beverage Equipment Worldwide, Safety-Fresh, savemycoffee.com, Scale-Pro, Silver Series, Single, Smart Funnel, Smart Hopper, SmartWAVE, Soft Heat, SplashGard, The Mark of Quality in Beverage Equipment Worldwide, ThermoFresh, 392, Beverage Bar Creator, Beverage Profit Calculator, BUNNSource, Coffee At Its Best, Digital Brewer Control, Nothing Brews Like a BUNN, Pouring Profits, Respect Earth, Respect Earth with the stylized leaf and coffee cherry design, Signature Series, Tea At Its Best, The Horizontal Red Line, Titan, Ultra are either trademarks or registered trademarks of Bunn-O-Matic Corporation.

USER NOTICES

Carefully read and follow all notices on the equipment and in this manual. They were written for your protection. All notices are to be kept in good condition. Replace any unreadable or damaged labels.

⚠ WARNING
<ul style="list-style-type: none"> ◆ Fill water tank before turning - on - thermostat or connecting appliance to power source. ◆ Use only on a properly protected circuit capable of the rated load. ◆ Electrically ground the chassis. ◆ Follow national/local electrical codes. ◆ Do not use near combustibles.
FAILURE TO COMPLY RISKS EQUIPMENT DAMAGE, FIRE, OR SHOCK HAZARD
READ THE ENTIRE OPERATING MANUAL BEFORE BUYING OR USING THIS PRODUCT
THIS APPLIANCE IS HEATED WHENEVER CONNECTED TO A POWER SOURCE
00831.0000F 3/98 ©1998 BUNN-O-MATIC CORPORATION

00831.0000

⚠ WARNING

To reduce the risk of electric shock, do not remove or open cover. No user-serviceable parts inside. Authorized service personnel only. Disconnect power before servicing.

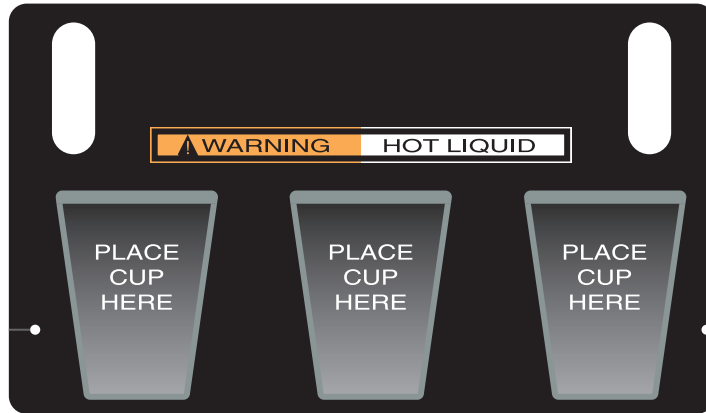
37881.0000

This equipment must be installed to comply with the International Plumbing Code of the International Code Council and the Food Code Manual of the Food and Drug Administration (FDA). For models installed outside the U.S.A., comply with the applicable Plumbing /Sanitation Code.

00656.0000



00824.0000



29216.0000

CONTROL THERMOSTAT ADJUSTMENT

200 F 190 F 180 F

APPROXIMATE THERMOSTAT TEMPERATURE SETTINGS

28368.0004A 08/08 © 2008 BUNN-O-MATIC CORPORATION

28368.0004

INITIAL SET-UP

1. Locate the drip tray assembly above the dispenser nested in the packing material.
2. Remove the drip tray and the drip tray cover and set them aside.
3. Remove the water strainer assembly from the drip tray and set it aside.
4. Remove the four legs from the packaging material, apply non-skid pads to the bottom of the legs and securely install the legs in the dispenser base.

ELECTRICAL REQUIREMENTS

CAUTION - The dispenser must be disconnected from the power source until specified in *Electrical Hook-Up*. The 120 volt version of this dispenser has an attached cordset. The mating connector must be a NEMA 5-15R. The 120/208 volt and the 120/240 version of this dispenser has an attached cordset. The mating connector must be a NEMA 14-20R.

The 240 volt version of this dispenser has an attached cordset without plug.

The 230 volt version of this dispenser has an attached cordset without plug.

CE REQUIREMENTS

- This appliance must be installed in locations where it can be overseen by trained personnel.
- For proper operation, this appliance must be installed where the temperature is between 5°C to 35°C.
- Appliance shall not be tilted more than 10° for safe operation.
- An electrician must provide electrical service as specified in conformance with all local and national codes.
- This appliance must not be cleaned by water jet.
- This appliance is not intended for use by persons (including children) with reduced physical, sensory or mental capabilities, or lack of experience and knowledge, unless they have been given instructions concerning use of this appliance by a person responsible for its safety.
- Children should be supervised to ensure they do not play with the appliance.
- If the power cord is ever damaged, it must be replaced by the manufacturer or authorized service personnel with a special cord available from the manufacturer or its authorized service personnel in order to avoid a hazard.
- Machine must not be immersed for cleaning.

ELECTRICAL HOOK-UP

CAUTION - Improper electrical installation will damage electronic components.

1. An electrician must provide electrical service as specified.
2. Using a voltmeter, check the voltage and color coding of each conductor at the electrical source.
3. Open the front door of the dispenser and place the heater switch in the “OFF” (upper) position.
4. Connect the dispenser to the power source.
5. If plumbing is to be hooked up later be sure the dispenser is disconnected from the power source. If plumbing has been hooked up, the dispenser is ready for *Initial Fill & Heat*.

PLUMBING REQUIREMENTS

This dispenser must be connected to a cold water system with operating pressure between 20 and 90 psi (138 and 620 kPa) from a 1/2" or larger supply line. A shut-off valve should be installed in the line before the brewer. Install a regulator in the line when pressure is greater than 90 psi (620 kPa) to reduce it to 50 psi (345 kPa). The water inlet fitting is .75-11.5 NH (HOSE THREAD). For convenience an elbow adaptor is provided to convert to a 1/4" flare fitting. Bunn-O-Matic does not recommend the use of a reverse-osmosis or deionized water supply to this equipment. **REQUIRED: 1.0 gpm (3.78 lpm) flow rate from water supply line.**

NOTE - At least 18 inches of an FDA approved flexible beverage tubing, such as reinforced braided polyethylene or silicone, before the dispenser will facilitate movement to clean the countertop. Bunn-O-Matic does not recommend the use of a saddle valve to install the dispenser. The size and shape of the hole made in the supply line by this type of device may restrict water flow.

This equipment must be installed to comply with the International Plumbing Code of the International Code Council and the Food Code Manual of the Food and Drug Administration (FDA). For models installed outside the U.S.A., you must comply with the applicable Plumbing/Sanitation Code for your area.

PLUMBING HOOK-UP

1. Securely attach the short piece of tubing on the water strainer assembly to the inlet fitting on the bottom of the dispenser.
2. Flush the water line and securely attach it to the flare fitting on the water strainer assembly.
3. Turn on the water supply.

NOTE - Water pipe connections and fixtures directly connected to a potable water supply shall be sized, installed and maintained in accordance with federal, state and local codes.

INITIAL FILL & HEAT

CAUTION - The dispenser must be disconnected from the power source throughout the initial fill & heat, except when specified in the instructions.

1. Turn on the water supply and connect the dispenser to the power source.
2. Water will automatically flow into the tank to the proper level and then shut-off. This will take less than five minutes.
3. When the tank is full of water, open the front door and place the heater switch in the "ON" (lower) position. A tank full of cold water will take approximately forty minutes for the water to heat on 120 volt versions, and twenty minutes on 120/240, 240 and 230 volt versions.

During this waiting period, complete these dispenser set-up steps:

- a. Place a set of keyholes in the splash panel over the screws beneath the hopper access door and push down gently.
- b. Place the drip tray onto the supports on the splash panel. Hook the tabs on the rear of the drip tray through the holes in the splash panel. Set the drip tray cover in place.
- c. Fill the hopper(s) with the dry product to be dispensed.

LIQUID LEVEL CONTROL

The system automatically maintains the hot water tank's level by energizing the refill solenoid when the water level drops below the liquid level probe. If the system has not successfully refilled in 15 minutes, a refill error occurs.

When a refill error occurs, the refill solenoid is de-energized and the 3 position L.E.D.'s will flash sequentially; left...center...right...left...center...right...etc.

Once the cause of the refill error has been investigated (see the troubleshooting guide) and cured, the system can be reset by either disconnecting (for at least 5 seconds) and then reconnecting the power to the machine, or by entering one of the program modes (see Programming Modes.)

RINSE TIMER

The dispenser is shipped from the factory with the rinse timer disabled. To enable the rinse timer, remove power from the dispenser, remove the lower access panel, and remove the jumper from J4 of the control board. For dispensers with hot water dispense, remove power from the dispenser, remove the lower access panel, and disconnect the green wires coming from J4 of the control board from each other. Replace the lower access panel, and return power to the dispenser.

When enabled, the rinse timer automatically keeps track of the time since the dispenser was last run through a rinse sequence. If the dispenser detects that a rinse sequence has not been run for 8 hours, all three position L.E.D.'s will flash continually. If, after an additional 4 hours (12 hours total), a rinse cycle has still not been run, all three position L.E.D.'s will light continuously, and the hopper drives will be disabled until a rinse sequence has been run.

RUNNING A RINSE SEQUENCE

1. Place the Rinse/Run switch in the "rinse" position .
2. Sequentially or simultaneously at each of the three positions, press any of the three dispense switches. The dispenser will run for 10 seconds with the hopper(s) disabled.
3. As each position is rinsed, the corresponding L.E.D. will extinguish, indicating that the rinse cycle took place.
4. After all three position L.E.D.'s have extinguished, the rinse timer is reset.
5. Return the Rinse/Run switch to the "run" position.

DISPENSER USE

1. Simply place a cup on the drip tray beneath the desired dispensing tip.
2. a) Momentarily press the appropriate dispense switch to froth and dispense the beverage. The dispenser will automatically dispense the beverage for the programmed dispense time at the programmed hopper dispense rate. The dispenser is factory preset to produce the approximate dispense sizes as follows:

Small (8 seconds): approximately 8 fluid ounces of beverage.

Medium (12 seconds): approximately 12 fluid ounces of beverage.

Large (16 seconds): approximately 16 fluid ounces of beverage.

To stop a timed dispense, press the stop switch or any of the switches on the position that is running.

Note - The mixing chamber must drain at the end of each dispense.

The dispense times can be individually programmed by following the procedures described in Programming Modes.

- b) Hot Water - Push and hold the hot water switch until the water reaches the desired level, then release.

HOPPER DISPENSE RATE OF PRODUCT

The hopper dispense rates are preset at the factory. With 22 tooth gear and auger wire, the preset dispense rate is approximately 3 to 5 grams per second. With 30 tooth gear and auger wire, the preset dispense rate is approximately 5 to 7 grams per second. The hopper dispense rates can be individually programmed to a range of dispense rates from approximately 1.5 to 12 grams per second by following the procedures described in Programming Modes.

PROGRAMMING MODES

1. Enter / Exit:

- a. To enter the program mode, press any two dispense size switches, on the position to be programmed, at the same time. The L.E.D. will flash indicating the program mode.
- b. To exit the program mode, press a switch on any position other than the one being programmed.

Note: The stop switch will not cause exit of program mode since it is used for some programming operations.

If in the program mode for more than 25 seconds and no switches have been pressed, the program mode is automatically exited.

2. Dispense Run Time:

- a. Enter the program mode on the position you want to program (see step 1.a.)
- b. Place the "Rinse/Run" switch in the "Run" position and press and hold the cup size to be programmed.
- c. When the desired amount is reached, release the switch, the time is recorded in memory.
To set the time to non-timed dispense, just momentarily press the position switch. This actually sets in a very short timed dispense.
- d. Repeat for remaining cup sizes if desired.
- e. Exit the programming mode (see step 1.b.)

3. Increasing / Decreasing the Hopper Dispense Rate:

- a. Enter the program mode on the position you want to program (see step 1.a.)
- b. Place the Rinse/Run switch in the "Rinse" position.
- c. Press and hold down on the stop switch and press the small switch to decrease the dispense rate or press the large switch to increase the dispense rate. Each time the button is pressed, the dispense rate will increase/decrease by approximately $2\frac{1}{2}$ %. Each time the small or large switch is pressed, the L.E.D. on that position will flash on and off to indicate the switch was recognized. When the maximum or minimum level is reached all 3 position L.E.D.'s will flash rapidly.
- d. To return the dispense rate to the factory preset, press and hold down stop switch and press the medium switch. When the medium switch is pressed, the L.E.D. on that position will flash on and off to indicate the switch was recognized.
- e. Return the Rinse/Run switch to the "Run" position.
- f. Exit the programming mode (see step 1.b.)

4. Making Common Timed Dispenses: Once a position has been programmed to the proper dispense times, you can make all 3 positions the same, as follows:

- a. Place the Rinse/Run switch in the "Run" position.
- b. Enter the program mode on the position you want all others to be like (see step 1.a.)
- c. Press and hold the Stop switch for 10 seconds.
- d. After the 10 second period, all 3 position L.E.D.'s will come on solid indicating the task is complete. The program mode is exited when the Stop switch is released.

5. Running Hopper Throw Test: The hopper throw can be checked by automatically running the hopper motor as follows:
 - a. Remove the steam collector and mixing chamber from under the hopper to be checked.
 - b. Position a small cup under the hopper outlet.
 - c. Enter the program mode on the position you want to check (see step 1.a.)
 - d. Place the Rinse/Run switch in the “Run” position.
 - e. Press and hold the stop switch down and press the small, medium, or large switch. The hopper will run for the programmed timed dispense period at the programmed dispense rate.
 - f. Remove the cup and weigh the dispensed product.
 - g. Exit the programming mode (see step 1.b.)
 - h. Replace the mixing chamber and steam collector.

6. Making Common Dispense Rates: Once a position has been programmed to the proper hopper dispense rate, you can make all 3 positions approximately the same, as follows:
 - a. Place the Rinse/Run switch in the “Rinse” position.
 - b. Enter the program mode on the position you want all others to be like (see step 1.a.)
 - c. Press and hold the Stop switch for 10 seconds.
 - d. After the 10 second period, all 3 position L.E.D.’s will come on solid indicating the task is complete. The program mode is exited when the Stop switch is released.
 - e. Return the Rinse/Run switch to the “Run” position.

7. Password: The password is to be used to prevent unauthorized entering of the program modes. The password is preset at the factory to 0 (no password.)
 - a. To enter the password programming, press and hold any two dispense size switches on any one of the positions for 10 seconds. All 3 position L.E.D.’s will begin flashing indicating that the dispenser is ready to accept a new password.
 - b. When the switches are released the 3 L.E.D.’s will stop flashing. At this time press the Stop switch the number of times that is the password (For example: If you press the Stop switch 5 times, you will then have to press the Stop switch 5 times before you will be able to enter the program mode the next time.)
 - c. 5 seconds after the Stop switch is pressed for the last time, the password is recorded in memory. As a verification of the password, when the 5 seconds is up, the 3 L.E.D.’s will flash the password. (For example: If the password is 5, when the exit of the password occurs, the L.E.D. will flash 5 times.)
 - d. Thereafter, the Stop switch needs to be pressed the password number of times before the program mode can be entered.

NOTE: After 5 seconds of pressing the Stop switch for the final time, the password counter is reset to 0. So if the password is mis-entered, wait 5 seconds before trying again.

 - e. To reset the password to 0 (no password,) enter the old password, then press and hold any two dispense size switches on any one of the positions for 10 seconds. All 3 position L.E.D.’s will begin flashing indicating that the dispenser is ready to accept a new password. Then just wait 5 seconds without pressing the Stop switch.

NOTE: There will be no indication when the 5 seconds are up and the password is reset to 0.

RE-INITIALIZE TO FACTORY DEFAULTS

This resets all dispense time settings and hopper throw rates to the factory defaults, and resets the password to 0 (no password.)

1. Disconnect the dispenser from the power source.
2. Place the Rinse/Run switch in the "Run" position.
3. Press and hold the left small, center small, and the Stop switches at the same time.
4. While holding the switches, connect the dispenser to the power source (this is intended to be difficult.) The switches must be held for about 5 seconds. When the task is completed, the left, center and right L.E.D.'s flash until the switches are released.
5. Wait an additional 10 seconds before operating the dispenser.

COLD BEVERAGE SET-UP (OPTIONAL)

Cold beverages may be dispensed from the left dispense position. Simply place the HOT/COLD switch near the left whipper chamber in the "COLD" (upper) position.

ADJUSTMENTS

The hot or cold beverage solenoids are preset to dispense approximately $\frac{9}{10}$ ounce per second. This amount can be adjusted:

1. Disconnect the dispenser from the power source.
2. Remove the small left side access panel.
3. Rotate the control at the base of the desired solenoid(s) clockwise to decrease or counterclockwise to increase the amount of water.
4. For cold beverage adjustment remove the 1-1/2" plug on the lower left side of the dispenser and rotate the needle valve clockwise to decrease or counterclockwise to increase the amount of cold water.

DRAINING THE HOT WATER TANK

CAUTION - The dispenser must be disconnected from the power source throughout these steps

1. Disconnect the dispenser from the power source.
2. Open front door and place tank heater switch in the "OFF" (upper) position.
3. Shut off and disconnect the incoming water supply.
4. Remove the top panel.
5. Gently remove one of the grommets from the tank lid.
6. Insert a tube to the bottom of the tank and syphon ALL of the water out.

NOTE - The dispenser must be refilled using the INITIAL FILL & HEAT steps before reconnecting to the power source.

PREVENTIVE MAINTENANCE

Bunn-O-Matic® Corporation recommends that preventive maintenance be performed at regular intervals. Maintenance should be performed by a qualified service technician. For Technical Service, contact Bunn-O-Matic® Corporation at 1-800-286-6070.

NOTE: Replacement parts or service caused by failure to perform required maintenance is not covered by warranty.

Cycle (months)	Item	Part Number
6	Mixing Chamber Kit	32906.0000
6	Whipper Motor Seal Kit	29128.0000
3 or as needed	Whipper Shaft Seal Kit	26356.1000

CLEANING

The use of a damp cloth rinsed in any mild, non-abrasive, liquid detergent is recommended for cleaning all surfaces on Bunn-O-Matic equipment. Do **NOT** clean this equipment with a water jet device.



1 x 24h

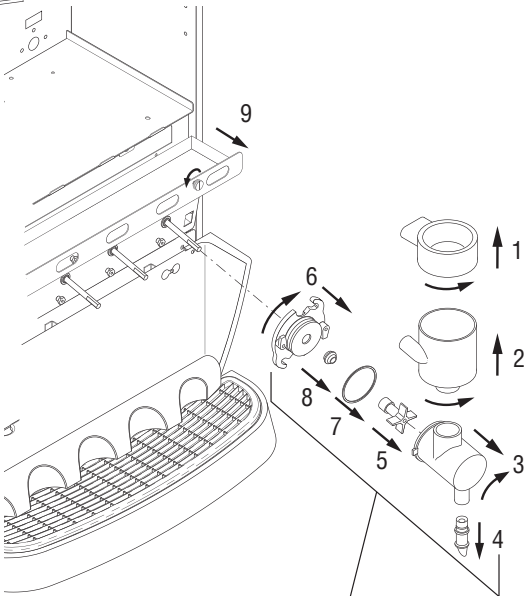
BUNN®

1. Rinse out Whipper Chambers by placing RINSE/RUN switch in the "RINSE" position and activating DISPENSE switches.
2. Turn elbow up, remove Hoppers, refill with product and replace hoppers into dispenser.
3. Empty Drip Tray and wash in a solution of dish detergent.

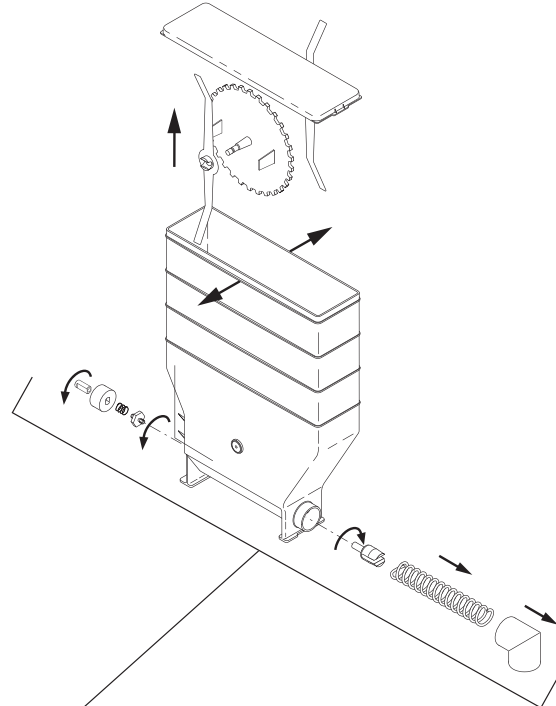
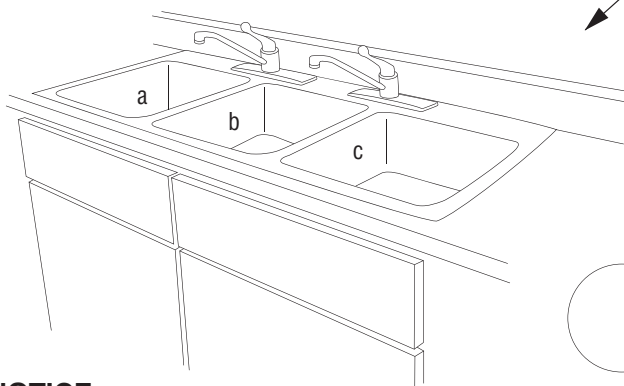
1. Para limpiar las camaras de mezcla, coloque el interruptor en la posición ENJUAGUE/MARCHA ("RINSE/RUN") y pulse el boton para espumar y distribuir la bebida ("DISPENSE").
2. Gire el codo hacia arriba, remueva las tolvas, llene las tolvas con producto y coloque las tolvas nuevamente en la maquina.
3. Vacie la bandeja de goteo y limpiela con un detergente liquido suave no abrasivo.



1 x 7d

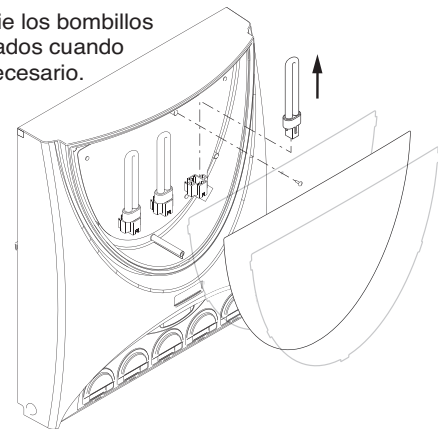


- | | |
|-------------|---------------|
| a. Wash | a. Lave |
| b. Rinse | b. Enjuague |
| c. Sanitize | c. Desinfecte |
| d. Dry | d. Seque |



Replace Light Bulbs as required.

Cambie los bombillos quemados cuando sea necesario.



NOTICE

The cleaning instructions noted above are for non-dairy sugar based food products. When dispensing any other food product, the cleaning cycle for the whipping chamber assembly and ejector elbow must be performed daily.

NOTA:

Las instrucciones de limpieza descritas anteriormente excluyen productos lacteos azucarados. La limpieza de las camaras de mezcla y de los codos de salida de cada tolva deberá realizarse diariamente.