

Single Brewer with Portable Server



Model Single® with 1.5GPR server*

Dimensions: 29.3" H x 9.25" W x 19" D
(74.4cm H x 54.9cm W x 48.3cm D)

Features

Single Coffee Brewer

- Brews 5.1 to 11.4 gallons (19.3 to 43.2 liters) of perfect coffee per hour.
- Brews ½, 1, or 1½ gallon (1.9, 3.8 and 5.7 liter) batches.
- Adjustable bypass ensures perfect coffee regardless of batch size.
- Hot water faucet does not affect brew level.
- Electronic timer ensures fast set up and accurate brew levels.
- Electronic grinder interface instructs grinder on exact amount of coffee for selected brew batch size.
- 1.5GPR portable server (included) has a patented Safety-Fresh® brew-through lid with vapor seal and spill protection.
- SplashGard® funnel deflects hot liquids away from the hand.
- International electrical configurations available.

For current specification sheets and other information, go to www.bunn.com.

International models may vary in appearance.

Related Products

Easy Clear® EQHP-10
Product No. : 39000.0004



Easy Clear® EQHP-10L
Product No. : 39000.0001

Gourmet Filter Pack
Product No. : 20138.0000
Packed per case: 500
Dimensions: 5¼" Base x 4¼" Sidewall
13.3 cm Base x 10.8 cm Sidewall



1.5GPR Safety-Fresh® portable server
with bail handles & RWS1 warming stand.

1.5GPR
Product No. : 20950.6001
Dimensions: 10¼" H x 6¾" W x 12⅝" D
26.0 cm H x 17.2 cm W x 32.1 cm D

Depth=10¼" w/o guard
26.0 cm w/o guard
Depth=12¾" with guard
32.38 cm w/ guard
Width=7¾" without handle
19.68 cm w/o handle
Width=7⅝" with handle
19.37 cm w/ handle



RWS1 Product No. : 12203.6001 (120V)

Model

Single

Agency Listing



Dimensions & Specifications



Model	Product #	Volts	Amps	Tank Htr	Total Watts	Thermostat Watts	Capacity per hour	Cubic ft ³ /kg ³	Weight lbs/kg	Cord Attached
Single†	23050.6001	120	12.5	1350	1500	Mechanical	5.1 gal/19.32 liter	7.8 / .22	58 / 26.3	Yes
Single**	23050.6005	120	16.3	1950	2230	Mechanical	5.1 gal/19.32 liter	7.8 / .22	58 / 26.3	No
Single**	23050.6000	120/208	20.5	4000	4150	Mechanical	10.6 gal/39.26 liter	7.8 / .22	58 / 26.3	No
Single**	23050.6003	120/240	18.0	4000	4150	Mechanical	11.4 gal/43.20 liter	7.8 / .22	58 / 26.3	No

All include Safety-Fresh® server with additional orange faucet handle and decal for decaf service.

* One setting. ** Three settings.

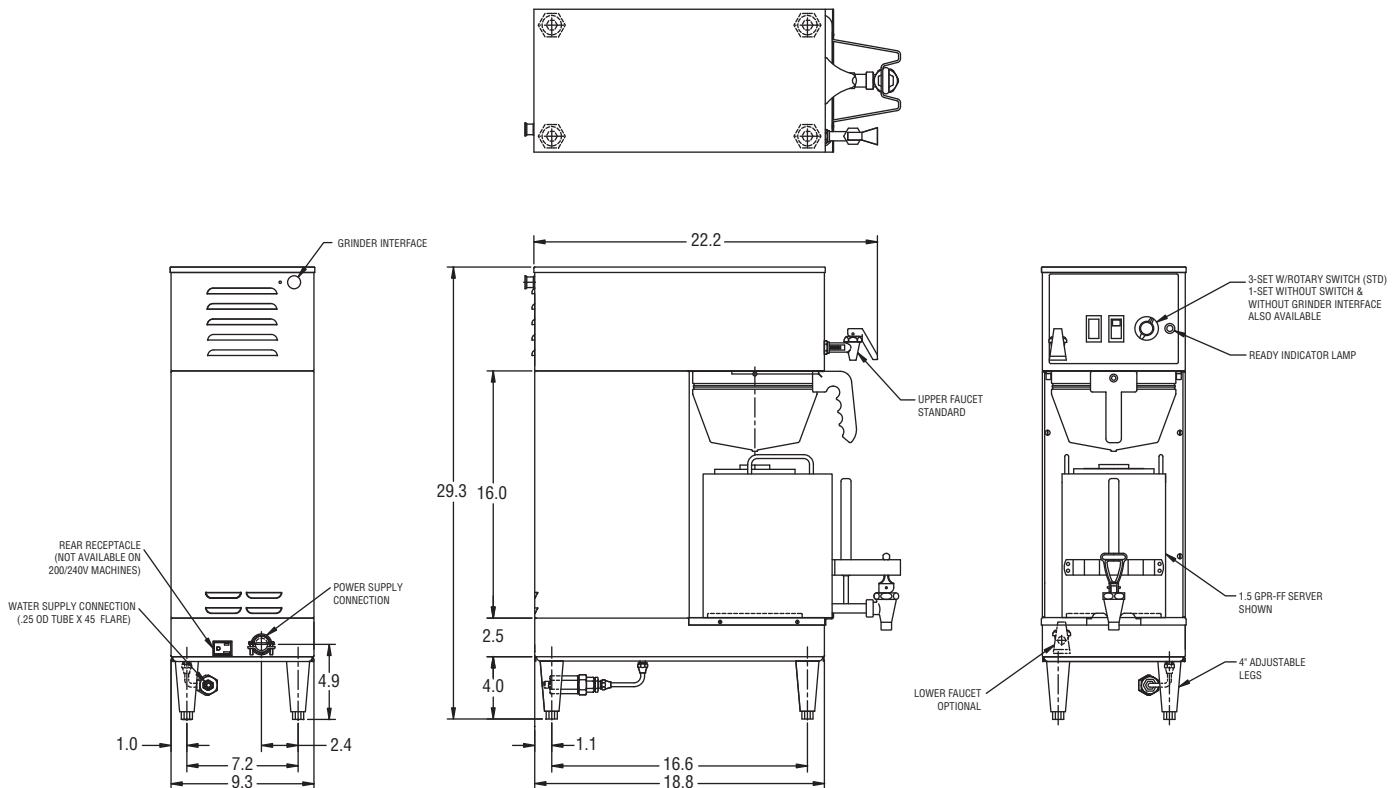
Brewing capacity: based upon incoming water temp of 60°F (140°F rise).

Models listed as 120/208V or 120/240V must be connected to 208V or 240V electrical service respectively. Please refer to the installation manual.

† Power cord (NEMA 5-15P) 15 Amp - 120V machine only.

Electrical: 120V, 1500 Watt Model requires 2-wires plus ground service rated 120V, single phase, 60 Hz.
 120V, 2230 Watt models require 2-wires plus ground service rated 120V, single phase, 60 Hz.
 120/208V or 120/240V models require 3-wires plus ground service rated 120/208V or 120/240V, single phase, 60 Hz.

Plumbing: 20-90 psi (138-621 kPa). Supplied with ¼" (6.4 mm) male flare fittings.



Bunn-O-Matic Corporation of Canada - 280 Industrial Pkwy. S. Aurora, Ontario L4G 3T9 • 905-841-2866 • Fax 905-841-2775 • www.bunn.com

BUNN® practices continuous product research and improvement. We reserve the right to change specifications and product design without notice. Such revisions do not entitle the buyer to corresponding changes, improvements, additions or replacements for previously purchased equipment.

All dimensions shown in inches. Bunn Corporation owns all copyrights relating to materials in this publication. Please contact Bunn Corporation to request permission to reproduce any portion of this publication.