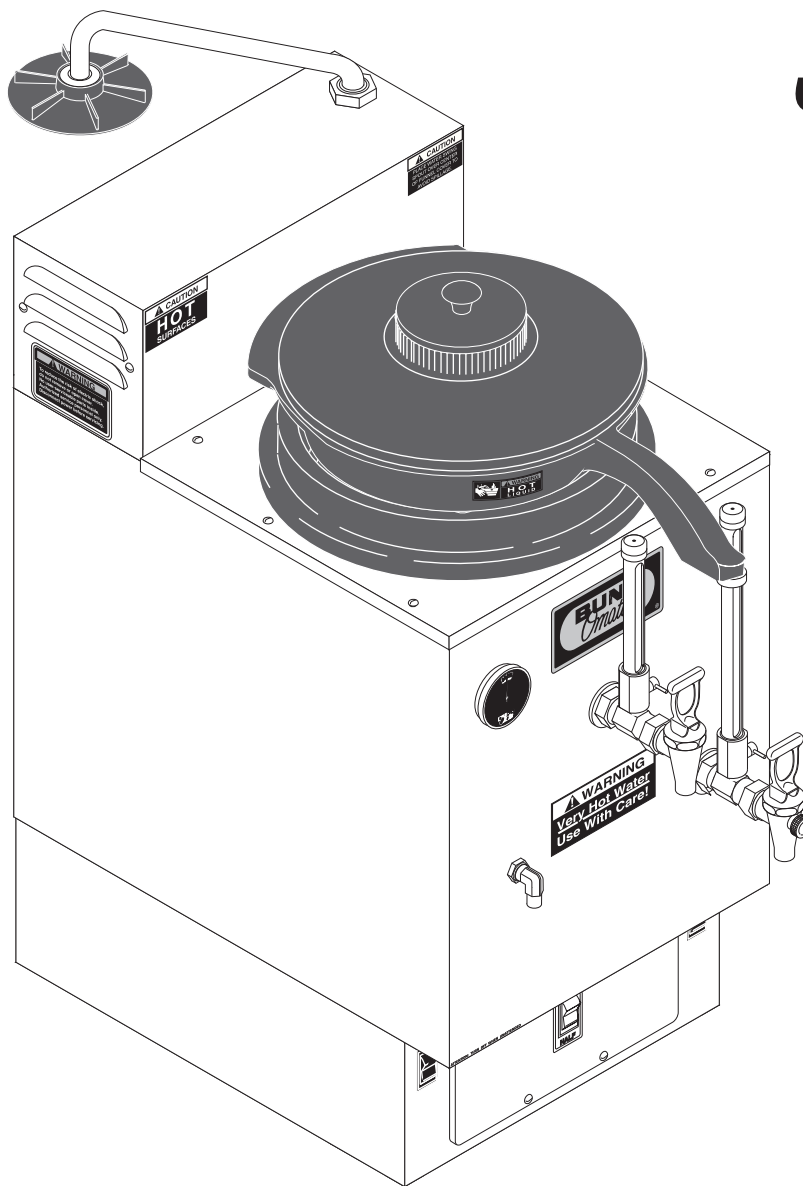


BUNN®

SRU SRUA



ILLUSTRATED PARTS CATALOG

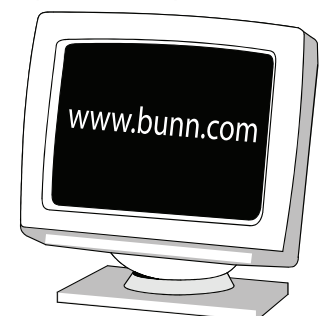
Designs, materials, weights, specifications, and dimensions for equipment or replacement parts are subject to change without notice.

BUNN-O-MATIC CORPORATION

POST OFFICE BOX 3227

SPRINGFIELD, ILLINOIS 62708-3227

PHONE: (217) 529-6601 FAX: (217) 529-6644



BUNN-O-MATIC COMMERCIAL PRODUCT WARRANTY

Bunn-O-Matic Corp. ("BUNN") warrants equipment manufactured by it as follows:

- 1) All equipment other than as specified below: 2 years parts and 1 year labor.
- 2) Electronic circuit and/or control boards: parts and labor for 3 years.
- 3) Compressors on refrigeration equipment: 5 years parts and 1 year labor.
- 4) Grinding burrs on coffee grinding equipment to grind coffee to meet original factory screen sieve analysis: parts and labor for 3 years or 30,000 pounds of coffee, whichever comes first.

These warranty periods run from the date of installation BUNN warrants that the equipment manufactured by it will be commercially free of defects in material and workmanship existing at the time of manufacture and appearing within the applicable warranty period. This warranty does not apply to any equipment, component or part that was not manufactured by BUNN or that, in BUNN's judgment, has been affected by misuse, neglect, alteration, improper installation or operation, improper maintenance or repair, damage or casualty. This warranty is conditioned on the Buyer 1) giving BUNN prompt notice of any claim to be made under this warranty by telephone at (217) 529-6601 or by writing to Post Office Box 3227, Springfield, Illinois 62708-3227; 2) if requested by BUNN, shipping the defective equipment prepaid to an authorized BUNN service location; and 3) receiving prior authorization from BUNN that the defective equipment is under warranty.

THE FOREGOING WARRANTY IS EXCLUSIVE AND IS IN LIEU OF ANY OTHER WARRANTY, WRITTEN OR ORAL, EXPRESS OR IMPLIED, INCLUDING, BUT NOT LIMITED TO, ANY IMPLIED WARRANTY OF EITHER MERCHANTABILITY OR FITNESS FOR A PARTICULAR PURPOSE. The agents, dealers or employees of BUNN are not authorized to make modifications to this warranty or to make additional warranties that are binding on BUNN. Accordingly, statements by such individuals, whether oral or written, do not constitute warranties and should not be relied upon.

If BUNN determines in its sole discretion that the equipment does not conform to the warranty, BUNN, at its exclusive option while the equipment is under warranty, shall either 1) provide at no charge replacement parts and/or labor (during the applicable parts and labor warranty periods specified above) to repair the defective components, provided that this repair is done by a BUNN Authorized Service Representative; or 2) shall replace the equipment or refund the purchase price for the equipment.

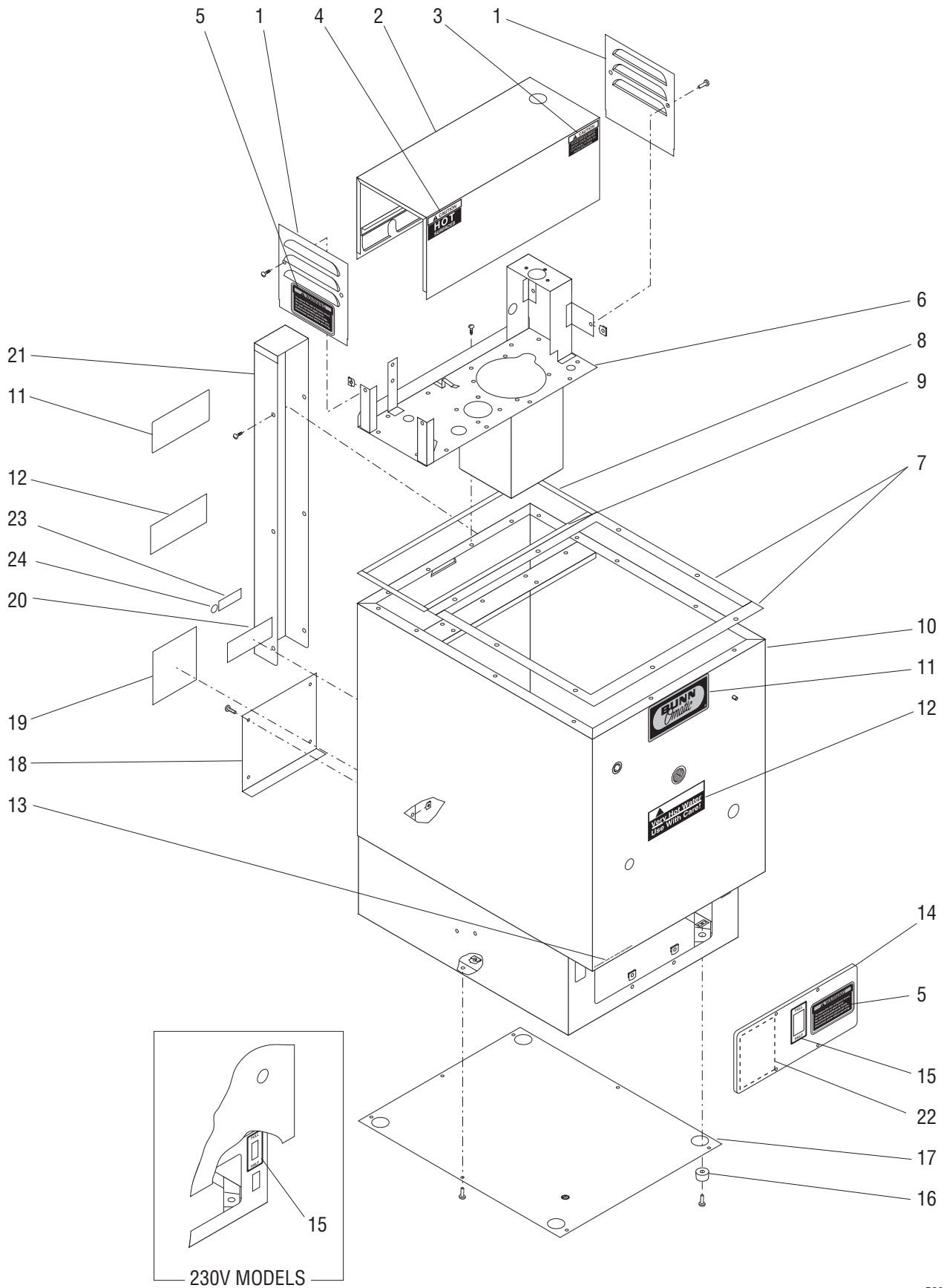
THE BUYER'S REMEDY AGAINST BUNN FOR THE BREACH OF ANY OBLIGATION ARISING OUT OF THE SALE OF THIS EQUIPMENT, WHETHER DERIVED FROM WARRANTY OR OTHERWISE, SHALL BE LIMITED, AT BUNN'S SOLE OPTION AS SPECIFIED HEREIN, TO REPAIR, REPLACEMENT OR REFUND.

In no event shall BUNN be liable for any other damage or loss, including, but not limited to, lost profits, lost sales, loss of use of equipment, claims of Buyer's customers, cost of capital, cost of down time, cost of substitute equipment, facilities or services, or any other special, incidental or consequential damages.

BrewWISE, BrewLOGIC, BrewWIZARD, BUNN Gourmet Ice, BUNN Pour-O-Matic, BUNN, Bunn-OMatic, Bunn-O-Matic, BUNNlink, BUNNserve, BUNN Espresso, DBC, Dr. Brew, Dual, EasyClear, EasyGard, Easy Pour, FlavorGard, Gourmet Ice, Gourmet Juice, High Intensity, IMIX, Infusion Series, Quality Beverage Equipment Worldwide, The Mark of Quality in Beverage Equipment Worldwide, My Café, PowerLogic, Safety-Fresh, Scale-Pro, Single, Smart Funnel, Smart Hopper, Smart-WAVE, Soft Heat, SplashGard, System III, ThermoFresh, 392, AutoPOD, AXIOM, Beverage Profit Calculator, Beverage Bar Creator, BrewMETER, BUNNSERVE, BUNNsource, Coffee At Its Best, Cool Froth, Digital Brewer Control, Intellisteam, Nothing Brews Like a BUNN, Pouring Profits, Pulse Wave, Signature Series, Silver Series, Smart Heat, Tea At Its Best, The Horizontal Red Line, Titan, Ultra, are either trademarks or registered trademarks of Bunn-O-Matic Corporation.

TABLE OF CONTENTS

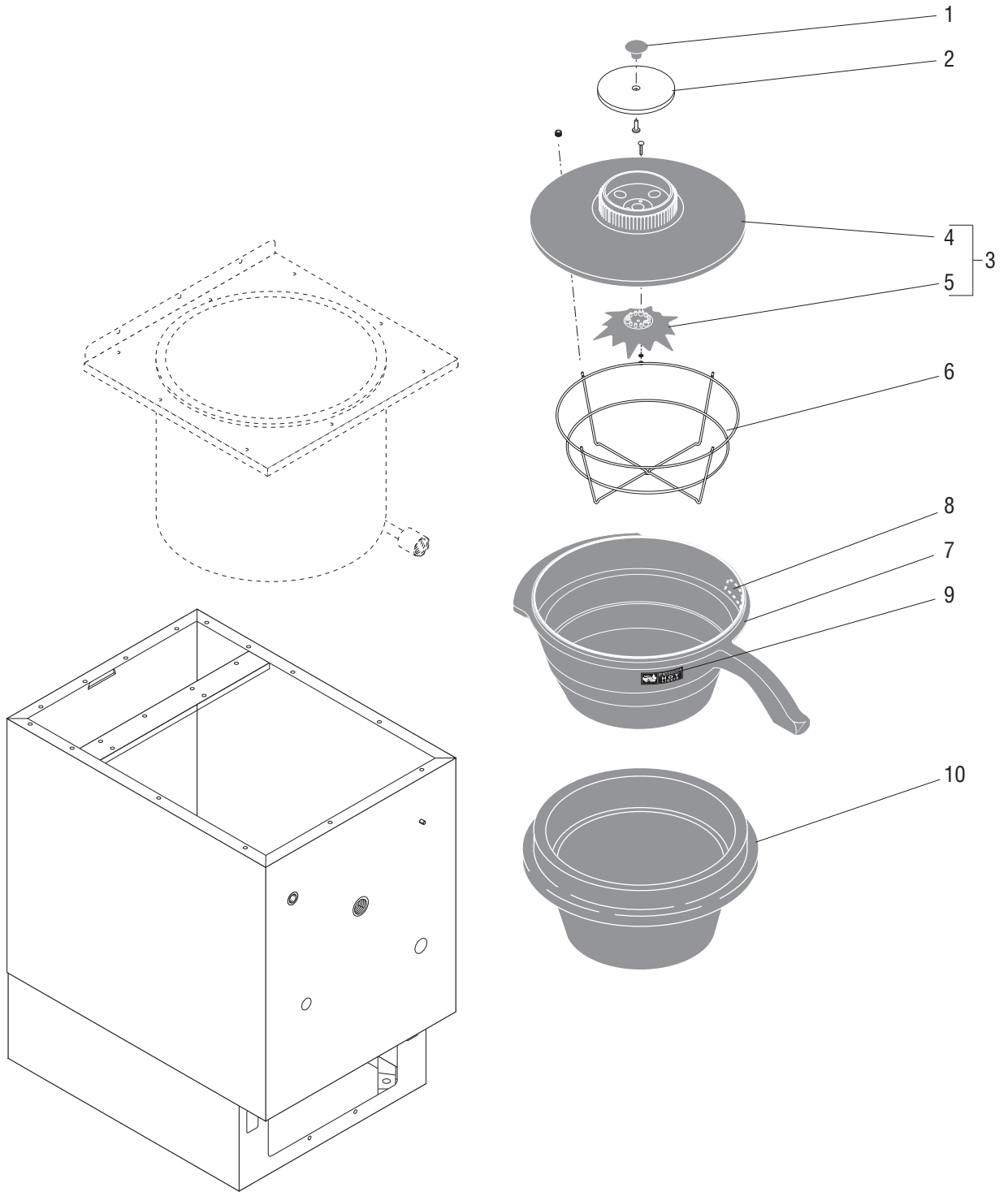
Electrical and Operating Controls.....	22
Funnels, Sprayheads, Filter Baskets and Supports.....	6
Housing, Panels and Covers	4
Numerical Index.....	26
Pump, Motor and Mounting.....	14
Reservoirs, Faucets and Sight Gauges.....	18
Strainer and Solenoid Valve Piping (Early Models)	8
Strainer and Solenoid Valve Piping (Late Models)	10
Swing Spout and Mounting.....	16
Thermostats and Tank Heaters.....	12



HOUSING, PANELS AND COVERS

ITEM	PART NO.	QTY.	DESCRIPTION
1	06352.0000	2	Cover, End
	01317.0000	4	Screw, Truss Head #8-32 x .50" (230V CE Models)
	01319.0000	4	Screw, Thumb #8-32 x .75" (120/240V Models)
	00917.0000	4	Fastener, "J" Type #8-32
2	06411.0000	1	Housing
3	29299.0000	1	Decal, Caution - Swing Spout
4	12555.0000	1	Decal, Caution - Hot Surfaces
5	37881.0000	2	Decal, Warning - Shut Off Power
6	06407.0000	1	Plate, Component Mounting
	01311.0000	10	Screw, Truss Head #8-32 x .25"
	01315.0000	2	Screw, Truss Head #8-32 x .38"
7	07288.0000	2	Gasket, Reservoir Mounting
8	07289.0003	2	Gasket, Panel Mounting - 5.6" LG
9	07289.0002	2	Gasket, Panel Mounting - 13.25" LG
10	06409.0000	1	Housing (Single Service brewers)(120/240V)
	-----	1	Housing (Double Service brewers)(Not serviced)(120/240V)
	-----	1	Housing (Single Service brewers)(Not serviced)(230V)
	-----	1	Housing (Single Service brewers)(Not serviced)(230V Marine Applications)
11	00823.0000	1	Decal, BUNN (One additional used with Double Service brewers)
12	12593.0000	1	Decal, Warning - Very Hot Water (One additional used with Double Service brewers)
13	00878.0000	1	Decal, Turn Off When Unattended
14	06434.0000	1	Cover, Front Access (120/240V)
	04957.0000	1	Cover, Front Access (230V)
	01318.0000	4	Screw, Round Head #8-32 x .50"
	00917.0000	4	Fastener, "J"-Type #8-32
15	06427.0000	1	Decal, Full-Half (120/240V)
	06427.0001	1	Decal, Full-Half (230V)
16	00731.0000	4	Foot
	01390.0000	4	Screw, Round Head #8-32 x .62"
	00978.0000	4	Fastener, Flat Type #8-32
17	06351.0000	1	Plate, Bottom
	01311.0000	7	Screw, Truss Head #8-32 x .25"
	00917.0000	7	Fastener, "J"-Type #8-32
18	06350.0000	1	Cover, Rear Access
	01315.0000	4	Screw, Truss Head #8-32 x .38"
	00917.0000	4	Fastener, "J"-Type #8-32
19	00831.0000	1	Decal, Warning - Electrical
20	00656.0000	1	Decal, Comply to Plumbing Code
21	06360.0000	1	Cover, Rear Utility
	01311.0000	6	Screw, Truss Head #8-32 x .25"
22	32540.0001	1	Decal, Batch Set (Digital Timer - Late Models)
23	27443.0000	1	Decal, Fuse Rating (230V)
24	00824.0000	1	Decal, Grounding
	00824.0001	1	Decal, Grounding (230V)

* Indicates the part number listed is for reference only. See DESCRIPTION for possible service replacement.

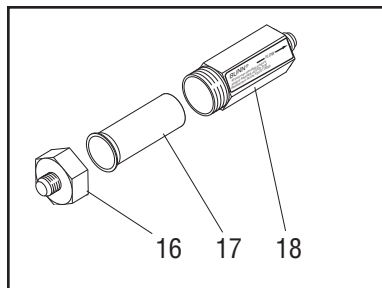
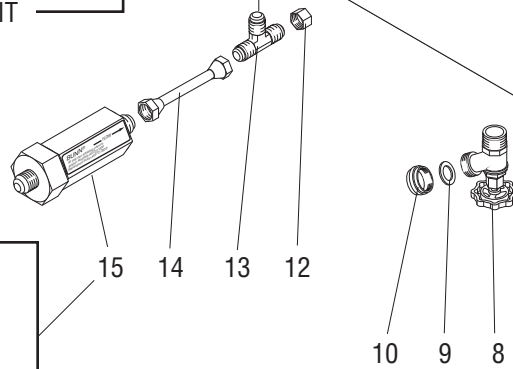
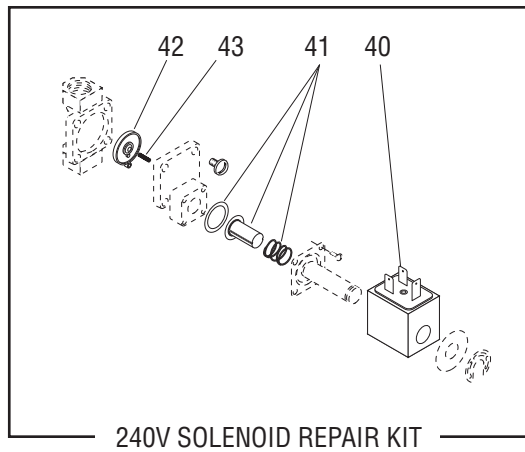
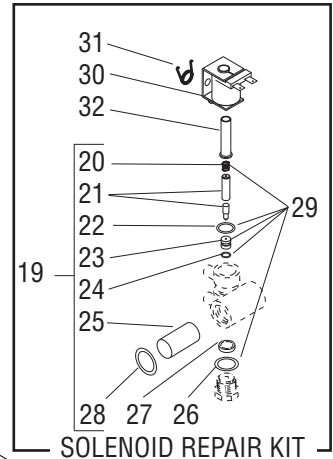
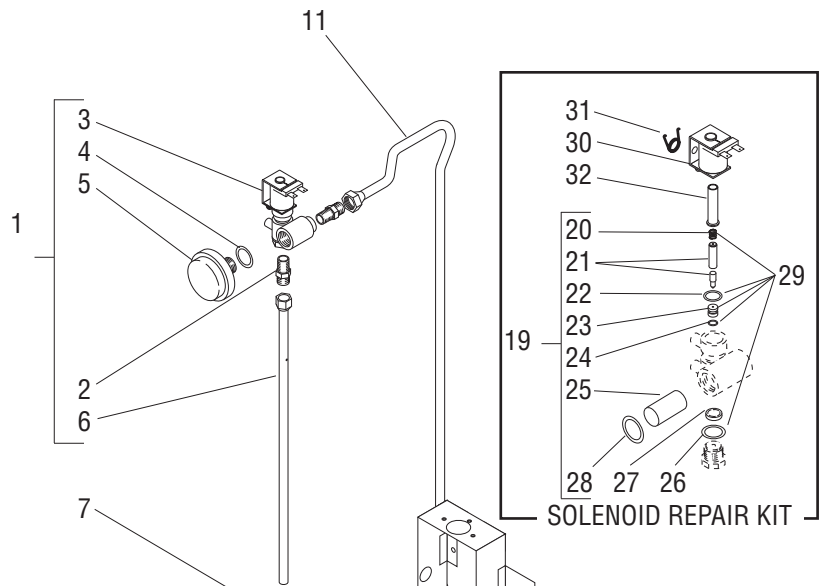
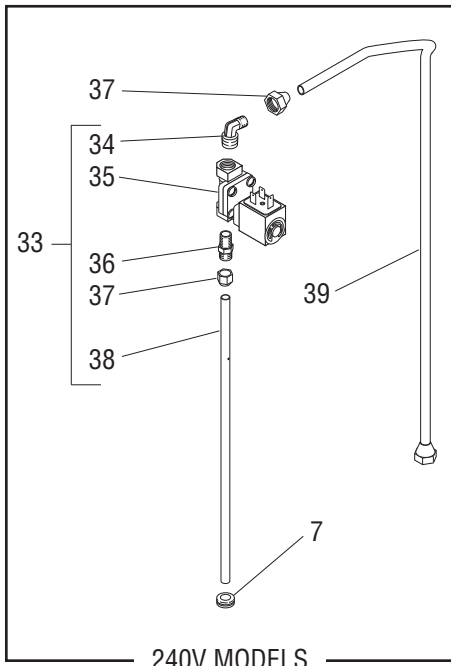


FUNNELS, SPRAYHEADS, FILTER BASKETS AND SUPPORTS

ITEM	PART NO.	QTY.	DESCRIPTION
1	00725.0000	1	Knob, Plastic - Black
	01315.0000	1	Screw, Truss Head #8-32 x .38"
2	01192.0000	1	Cover
3	07023.0003	1	Cover Assy, Plastic - Black (Includes items 4 & 5)
4	-----	1	Cover, Plastic - Black (Not available. Order item 3)
5	07024.1002	1	Sprayhead, Plastic - Black (Includes hardware below, except for acorn nuts)
	01339.0000	3	Screw, Pan Head #6-32 x .625"
	01520.0000	3	Lockwasher, Split #6
	00906.0000	3	Nut, Hex #6-32
6	07175.0000	1	Filter Housing Stand
7	07022.0012	1	Funnel w/Decals, Plastic - Black (Includes items 8 & 9)
8	03408.0000	1	Decal, Warning - Remove Funnel Slowly
9	03409.0000	1	Decal, Warning - Hot Liquid
10	07021.0002	1	Support, Funnel Plastic - Black (Refer to Item 12)
11	02564.0002	-	Funnel Cover Lid Kit (Includes items 1 & 2)
12	07121.0002	-	Funnel Kit, Plastic - Black (Includes items 3,7 & 10)

} Refer to Item 11

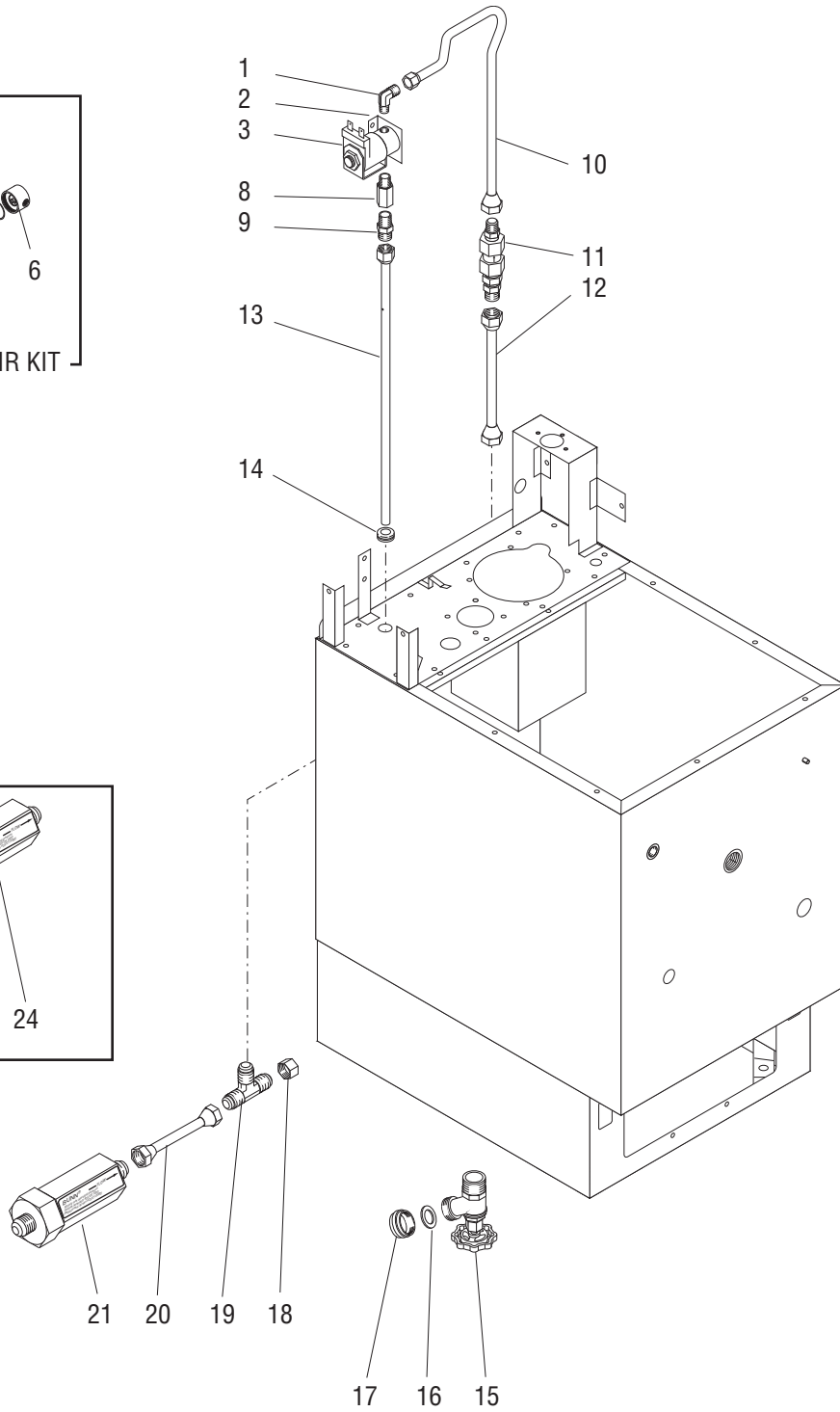
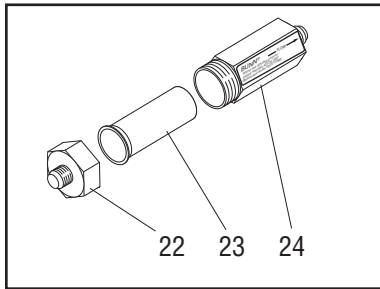
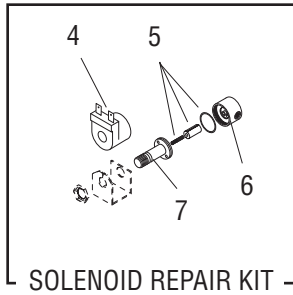
* Indicates the part number listed is for reference only. See DESCRIPTION for possible service replacement.



STRAINER AND SOLENOID VALVE PIPING (Early Models)

ITEM	PART NO.	QTY.	DESCRIPTION
1	07052.0000*	1	Solenoid Valve Assy 120V (Includes items 2 thru 6)
	07052.0002*	1	Solenoid Valve Assy 240V (Includes items 2 thru 6)
2	07072.0000	2	Connector, Male Brass .38" Tube x .25" Male
3	-----	1	Solenoid Valve (Order item 1)(Refer to Items 27 & 37)
4	01537.0000	1	Washer, Nylon
5	07083.1000*	1	Air Chamber
6	07051.1000	1	Tube Assy Inlet (Includes Nut and Ferrules)
7	07075.0000	1	Grommet, Inlet Tube Assy 120V
	02536.0000	1	Grommet, Inlet Tube Assy 230V
8	01258.0000	1	Valve, Fill/Drain
9	01536.0000	1	Gasket, Fill/Drain Valve
10	40058.0000	1	Cap, Vinyl
11	06365.1000	1	Tube Assy - Tee to Solenoid Valve (Includes nut and ferrules)
12	00976.0000	1	Cap .38" Flare
13	07112.0000	1	Tee .38" Male Flare
14	21807.0001	1	Tube Assy - Tee to Strainer
15	23720.0000	1	Strainer Assy (Includes items 16,17 & 18)
16	23723.0000	1	Cap, End
17	23721.0000	1	Screen
18	-----	1	Housing, Strainer (Order item 15)
19	07261.0000	1	Repair Kit, Solenoid (Includes items 7, 20 thru 28)
20	-----	1	Spring, Plunger (Order item 19)
21	-----	1	Plunger Assy (Order item 19)
22	07264.0000	1	O-Ring, Bonnet
23	-----	1	Seat, Plunger (Order item 19)
24	-----	1	O-Ring, Plunger Seat (Order item 19)
25	-----	1	Screen (Order item 19)
26	-----	1	Gasket, Orifice Plate (Order item 19)
27	-----	1	Diaphragm, Flow 1.0 GPM (Order item 19)
28	01537.0000	1	Washer, Nylon
29	07261.0001	1	Seal Kit, Solenoid (Includes items 7, 20, 22, 23, 24 & 26)
30	07025.0000	1	Coil, Solenoid (120V)(Includes item 31)
	07025.0002	1	Coil, Solenoid (240V)(Includes item 31)
31	07050.0000	1	Clip, Spring
32	07272.0000	1	Bonnet, Plunger
33	28043.0000	1	Solenoid Valve Assy, 240V (Includes items 34 thru 38)
34	27907.0000	1	Elbow, .38" MPT x .38" Compression
35	28037.0000	1	Solenoid Valve
36	28040.0000	1	Connector, .38" MPT x .38" Compression
37	00929.0001	4	Nut/Sleeve, .38" Tube
38	28531.0000	1	Tube Assy, Inlet- Solenoid to Housing (Includes item 37)
39	28532.0000	1	Tube Assy, Tee to Solenoid (Includes item 37)
40	28020.0000	1	Coil
41	28021.0000	1	Core Assy Kit (Includes Core, Spring and O-ring)
42	29649.0000	1	Diaphragm and Spring Kit (Includes item 43)
43	29648.0000	1	Spring, Diaphragm

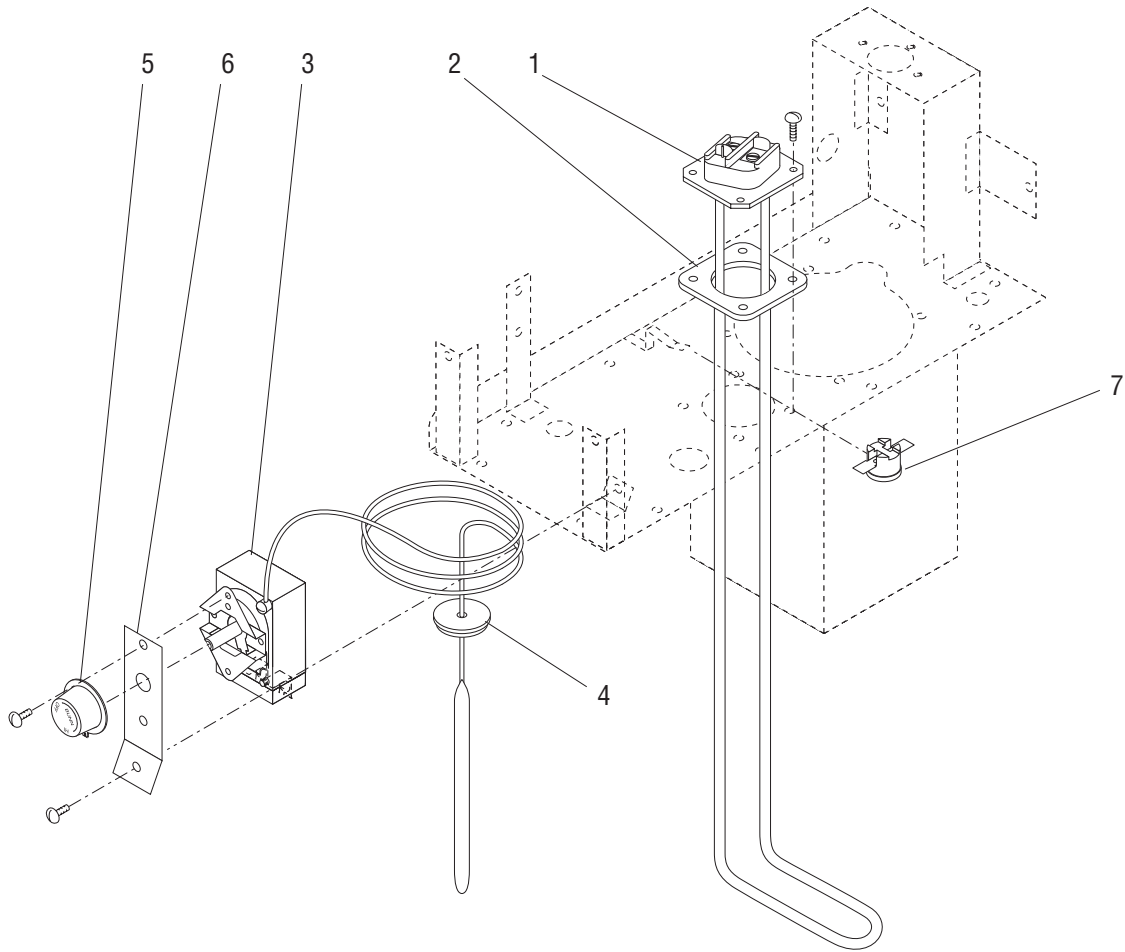
* Indicates the part number listed is for reference only. See DESCRIPTION for possible service replacement.



STRAINER AND SOLENOID VALVE PIPING (Late Models)

ITEM	PART NO.	QTY.	DESCRIPTION
1	21695.0001	1	Elbow
2	36996.0000	1	Bracket
	01327.0000	2	Screw, Pan Head #10-32 x .38"
3	01085.0000	1	Solenoid Valve 120V (Includes items 4 - 7)
	01975.0000	1	Solenoid Valve 240V (Includes items 4 - 7)
	01327.0000	2	Screw, Pan Head #10-32 x .38"
	01501.0000	2	Lockwasher, Split #10
4	01101.0000	1	Solenoid Valve Coil 120V
	01100.0000	1	Solenoid Valve Coil 240V
5	01111.0000	1	Solenoid Valve Repair Kit (Includes Plunger, Seal and Spring)
6	01079.0000	1	Solenoid Valve Base
7	01116.0000	1	Sleeve Assy, Solenoid Valve
8	00458.0001	1	Adapter
9	00406.0001	1	Fitting
10	37005.0000*	1	Tube
11	27596.0001	1	Flow Control
12	21807.0003	1	Tube
13	07051.1000	1	Tube Assy Inlet (Includes Nut and Ferrules)
14	07075.0000	1	Grommet, Inlet Tube Assy 120V
	02536.0000	1	Grommet, Inlet Tube Assy 230V
15	01258.0000	1	Valve, Fill/Drain
16	01536.0000	1	Gasket, Fill/Drain Valve
17	40058.0000	1	Cap, Vinyl
18	00976.0000	1	Cap .38" Flare
19	07112.0000	1	Tee .38" Male Flare
20	21807.0001	1	Tube Assy - Tee to Strainer
21	23720.0000	1	Strainer Assy (Includes items 22,23 & 24)
22	23723.0000	1	Cap, End
23	23721.0000	1	Screen
24	-----	1	Housing, Strainer (Order item 21)

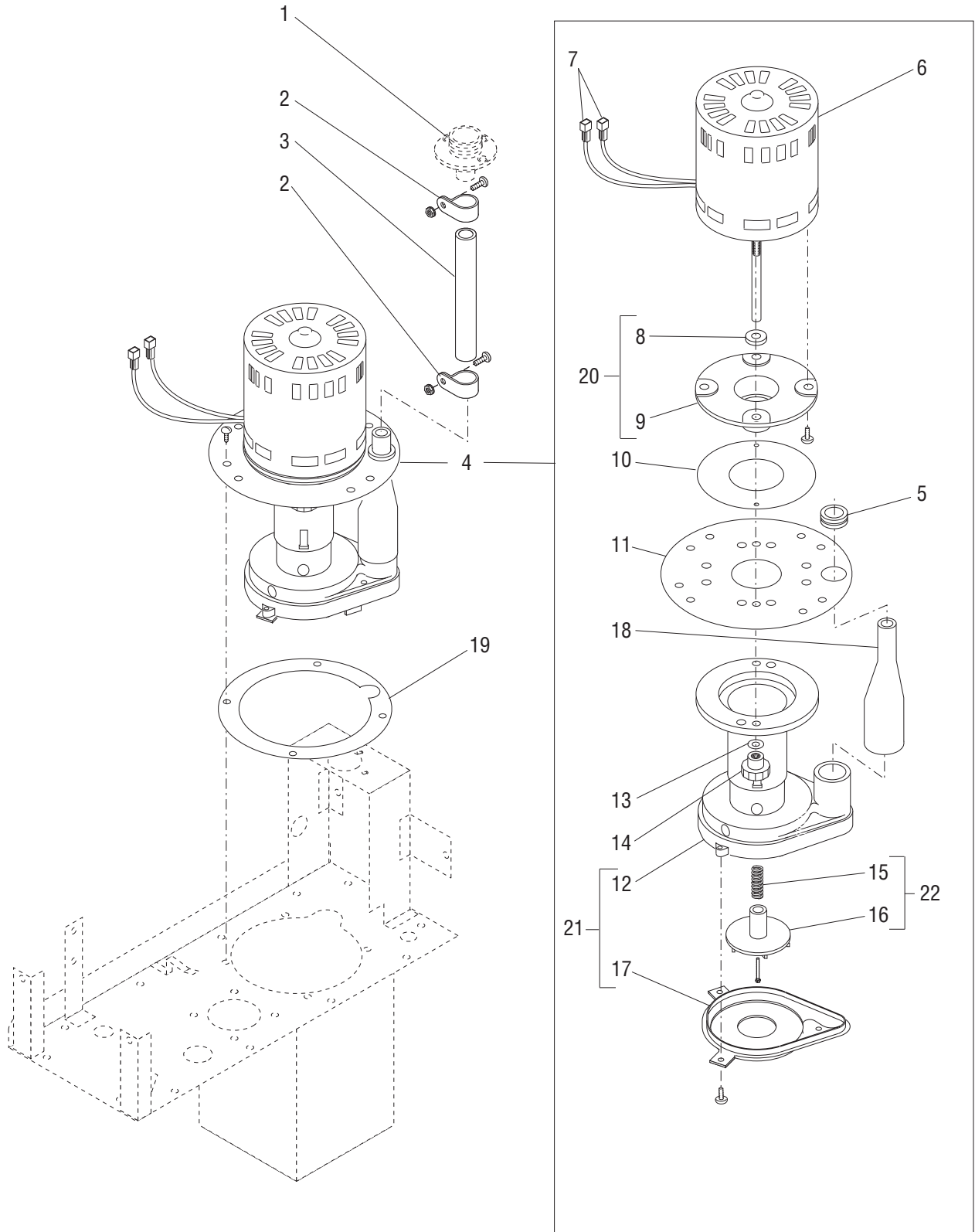
* Indicates the part number listed is for reference only. See DESCRIPTION for possible service replacement.



THERMOSTATS AND TANK HEATERS

ITEM	PART NO.	QTY.	DESCRIPTION
1	07185.1000	1	Tank Heater. 3950W @ 208V
	07186.1000	1	Tank Heater, 3950W @ 240V
	01315.0000	4	Screw, Truss Head #8-32 x .375"
			} Includes item 2
2	12398.0000	1	Gasket, Tank Heater
3	07045.0000	1	Thermostat Kit (Includes items 4,5 & 6)
	02328.0003	2	Screw, Pan Head #6-32 x .312"
	20762.0000	2	Screw, Binding Head #8-32 x .25"
4	07073.0001	1	Grommet, Thermostat
5	00720.0000	1	Knob, Thermostat Adjustment
6	27923.0000	1	Bracket, Thermostat Mounting
	01315.0000	1	Screw, Truss Head #8-32 x .375"
	01502.0000	1	Lockwasher #8
7	29329.1000	1	Thermostat, Limit

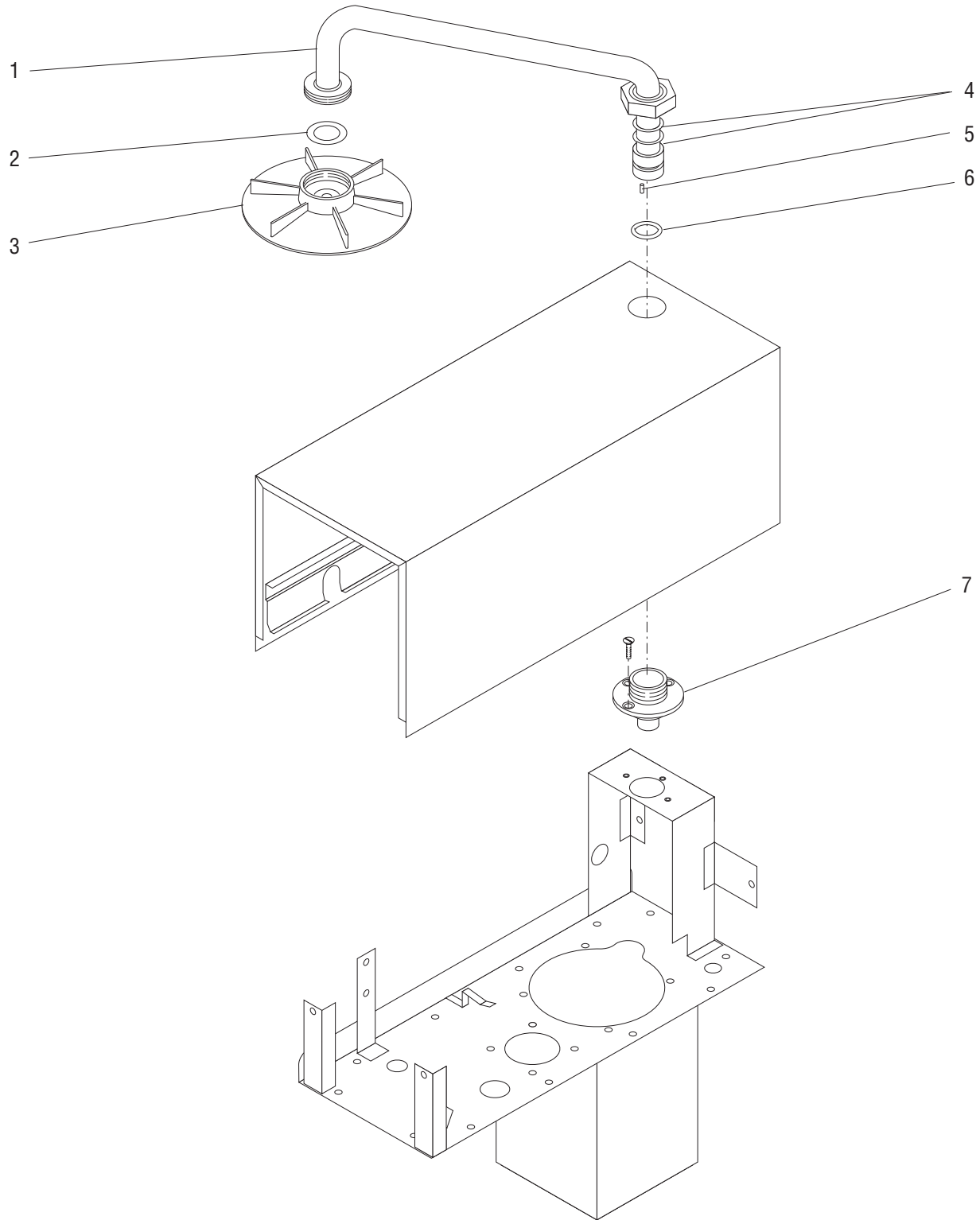
* Indicates the part number listed is for reference only. See DESCRIPTION for possible service replacement.



PUMP, MOTOR AND MOUNTING

ITEM	PART NO.	QTY.	DESCRIPTION
1	-----	1	Fitting, Swing Spout Base (See Swing Spout and Mounting)
2	00620.0000	2	Clamp, Cable - Nylon .687" I.D.
	01315.0000	2	Screw, Truss Head #8-32 x .38"
	00970.0000	2	Nut, Keps #8-32
3	07129.1000	1	Tube, Silicone .438" I.D. x 4.5" LG (See item 24)
4	-----	1	Pump Assy, 120V 60HZ (Includes items 5 thru 18) (Order item 23)
	-----	1	Pump Assy, 230V 50HZ (Includes items 5 thru 18) (Order item 23)
	-----	1	Pump Assy, 230V 60HZ (Includes items 5 thru 18) (Order item 23)
	01315.0000	4	Screw, Truss Head #8-32 x .375"
	00912.0000	4	Fastener "J" Type #8-32
5	07044.0000	1	Grommet, Pump
6	-----	1	Motor, 120V 60HZ (Order item 23)
	-----	1	Motor, 230V 50HZ (Order item 23)
	-----	1	Motor, 230V 60HZ (Order item 23)
7	07014.0000	2	Terminal Housing .25" Spade
8	-----	1	Seal (Not Available. Order item 20 or 23)
9	-----	1	Retainer, Seal (Order Item 20 or 23)
	28623.0000	2	Screw, Pan Head #8-32 x .25"
10	28624.0000	1	Gasket, Seal Retainer
11	-----	1	Plate, Pump Mounting (Order item 23)
12	-----	1	Pedestal, Pump (Order item 21 or 23)
13	28614.0000	2	Washer, #10
14	28617.0000	2	Thumb Nut, #10-32
15	28628.0000	1	Spring, Impeller (See item 22)
16	-----	1	Impeller 60HZ (Order item 22 or 23)
	-----	1	Impeller 50HZ (Order item 22 or 23)
	07167.0000	1	Screw, Impeller
17	28626.0000	1	Base Plate
	28626.0001	1	Base Plate (50 Hz)
	28629.0000	3	Screw, Pan Head #8-18 x .375"
18	07086.0000	1	Adaptor, Pump
19	07047.0000	1	Gasket, Pump Mounting (Refer to item 23)
20	28632.0000	-	Seal/Retainer Assy (Includes items 8 & 9)
21	28618.0000	-	Kit, Pedestal/Base Plate/Screws 60HZ (Includes items 12 & 17)
	28618.0001	-	Kit, Pedestal/Base Plate/Screws 50HZ (Includes items 12 & 17)
22	28631.0000	-	Impeller/Spring Assy 60HZ (Includes items 15 & 16)
	28631.0001	-	Impeller/Spring Assy 50HZ (Includes items 15 & 16)
23	07097.0000	-	Pump & Motor Kit, 120V 60HZ (Includes items 2 thru 11 & Instructions)
	07097.0008	-	Pump & Motor Kit, 240V 50HZ (Includes items 2 thru 11 & Instructions)
	07097.0004	-	Pump & Motor Kit, 240V 60HZ (Includes items 2 thru 11 & Instructions)
	28630.0000	-	Kit, Pump Rebuild (60HZ) (Includes items 2,3,5,8,9,10,12 thru 19 & Instructions)
	28630.0001	-	Kit, Pump Rebuild (50HZ) (Includes items 2,3,5,8,9,10,12 thru 19 & Instructions)
24	07130.0000*	1	Cable Tie, Tube Cleaning (Not Illustrated)

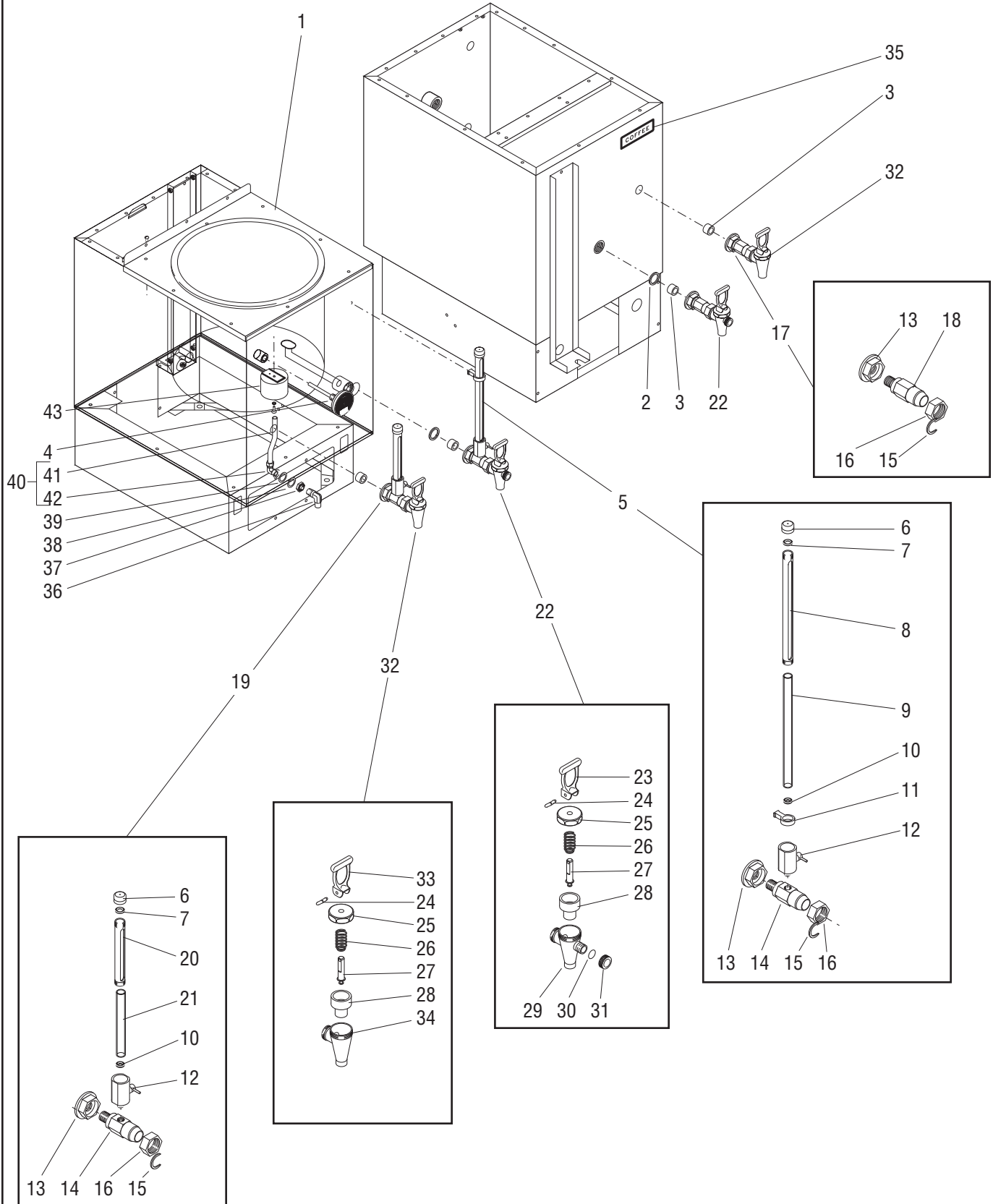
* Indicates the part number listed is for reference only. See DESCRIPTION for possible service replacement.



SWING SPOUT AND MOUNTING

ITEM	PART NO.	QTY.	DESCRIPTION
-	06418.0000	1	Kit, Swing Spout (Includes 1 thru 7)
1	-----	1	Swing Spout (Not Serviced)
2	01201.0000	1	Gasket, Swing Spout
3	07026.1002	1	Shield, Swing Spout
4	01530.0000	2	Washer, Split
5	06420.0000	4	Pin, Swing Spout
6	07011.0000	1	O-Ring, Swivel Body
7	07149.0000	1	Fitting, Swing Spout Base
	01359.0000	3	Screw, Flat Head #8-32 x .38"
	00970.0000	3	Nut, Keps #8-32

* Indicates the part number listed is for reference only. See DESCRIPTION for possible service replacement.



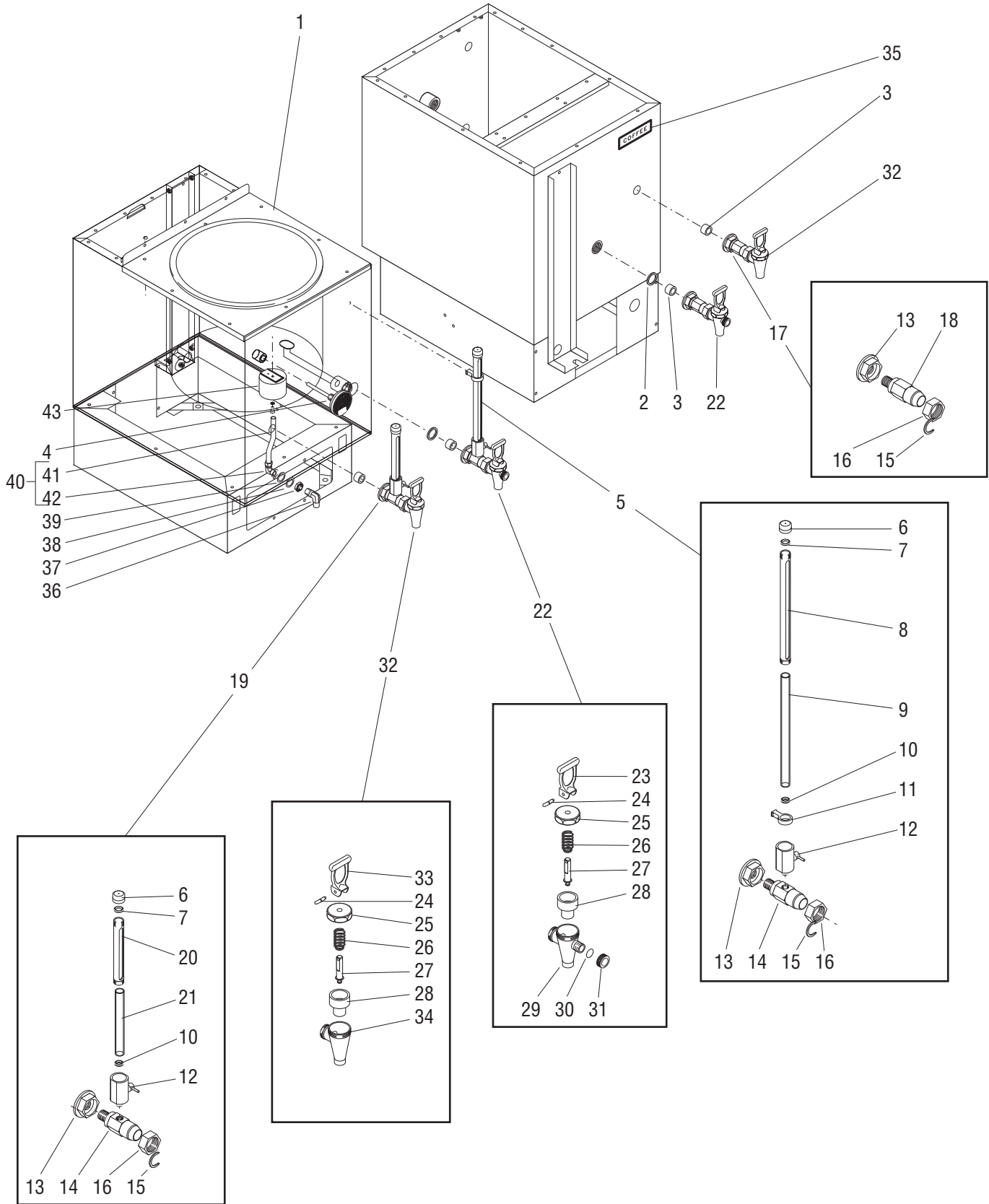
RESERVOIRS, FAUCETS AND SIGHT GAUGES

ITEM	PART NO.	QTY.	DESCRIPTION
1	06362.0000	1	Reservoir Kit (Single Service brewers)(Includes items 2,3 & 43)
	06424.0000	1	Reservoir Kit (Double Service brewers)(Includes items 2,3 & 43)
	01311.0000	8	Screw, Truss Head #8-32 x .25"
	00917.0000	3	Fastener, "J" Type #8-32
2	07064.0000	1	Gasket (One additional used with Double Service brewers)
3	07079.0000	2	Gasket, Faucet Shank (Two additional used with Double Service brewers)
4	07032.0000	1	Gauge, Water Temperature
5	07060.0000	2	Faucet Shank, W/7.0" Sight Gauge (Includes items 6 thru 16)
6	01293.0000	1	Cap, Sight Gauge
7	01291.0000	1	Washer, Sight Gauge Cap
8	26687.0003	1	Shield, Sight Gauge
9	01265.0000	1	Glass, Sight Gauge
10	01292.0000	1	Washer, Sight Gauge Base
11	01287.0000	1	Brace, Sight Gauge
12	01267.0000	1	Valve, Sight Gauge Shut-Off
13	07119.0000	1	Nut, Faucet Shank
14	-----	1	Shank, Faucet (Order item 5)
15	01221.0000	1	C-Ring, Faucet Shank
16	01268.0000	1	Union Nut, Faucet
17	07061.0000	2	Faucet Shank - 3.0" LG (Includes items 15, 16 & 19)
18	-----	1	Shank, Faucet (Order item 17)
19	07110.0000	1	Faucet Shank, W/4.0" Sight Gauge (Includes items 6, 7, 10, 12 thru 16, 20 & 21)
20	01218.0000	1	Shield, Sight Gauge - 4.0" LG
21	01298.0000	1	Glass, Sight Gauge
22	07059.0003	1	Faucet Assy, Black Handle (Includes items 23 thru 31)(One additional used with Double Service brewers)
23	07096.0002	1	Handle, Faucet - Black
24	01219.0000	1	Pin, Faucet Handle
25	07127.0000	1	Bonnet, Faucet
26	00601.0000	1	Spring, Faucet

(Continued)

* Indicates the part number listed is for reference only. See DESCRIPTION for possible service replacement.

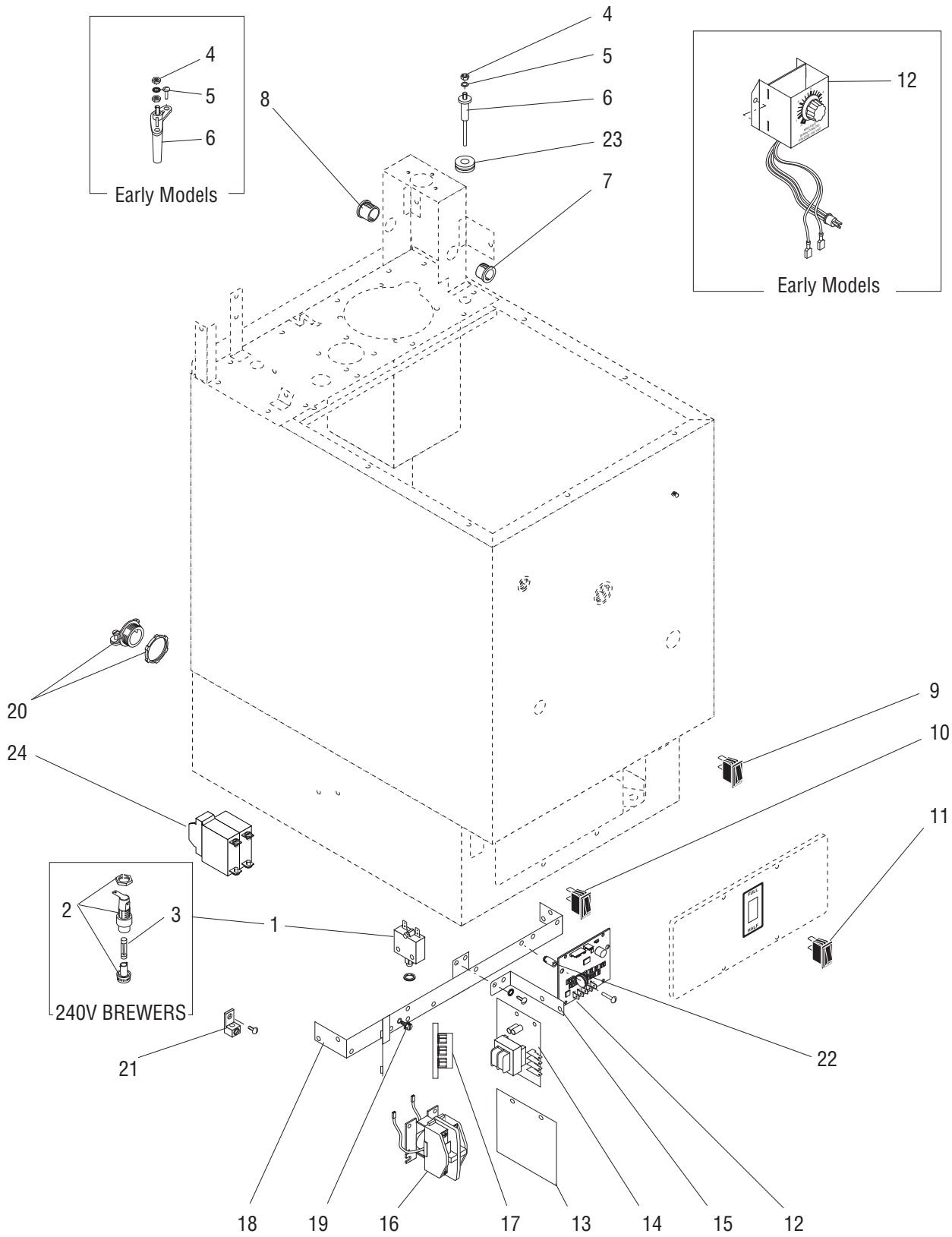
(Continued)



RESERVOIRS, FAUCETS AND SIGHT GAUGES

ITEM	PART NO.	QTY.	DESCRIPTION
27	01284.0000	1	Stem W/Pin, Faucet (Includes item 24)
28	00600.0000	1	Cup, Faucet Seat
29	-----	1	Body, Faucet (Order item 22)
30	01276.0000	1	Gasket, Faucet Cap
31	01275.0000	1	Cap, Faucet - Clean Out
32	07094.0000	1	Faucet Assy, Red Handle - Hot Water (Includes items 24 thru 28, 33 & 34)(One additional used with Double Service brewers)
33	07099.0000	1	Handle, Faucet - Red
34	-----	1	Body, Faucet (Order item 32)
35	00842.0000	1	Decal, COFFEE (Double Service brewers)
36	00471.0000	1	Elbow, Overflow - .38" MPT x .25" FPT
37	07034.0000	1	Nut, Hex .38" NPT
38	01524.0000	1	Washer, Flat .688" I.D. x 1.50" O.D.
39	01201.0000	1	Gasket
40	06395.0000	1	Tube Assy, Overflow (Includes items 43 & 44)
41	06396.0000*	1	Tube
42	06374.0000	1	Elbow .625" Tube x .375" NPTF
43	03132.0002	1	Cup, Overflow
	01315.0000	1	Screw, Truss Head #8-32 x .38"
	01502.0000	1	Lockwasher, Split #10
44	00675.0000	1	Brush, Sight Gauge Clean Out (Not Illustrated)
45	28707.0002	-	Faucet Repair Kit, Black (Includes items 23, 26, 27 & 28)(Not Illustrated)

* Indicates the part number listed is for reference only. See DESCRIPTION for possible service replacement.



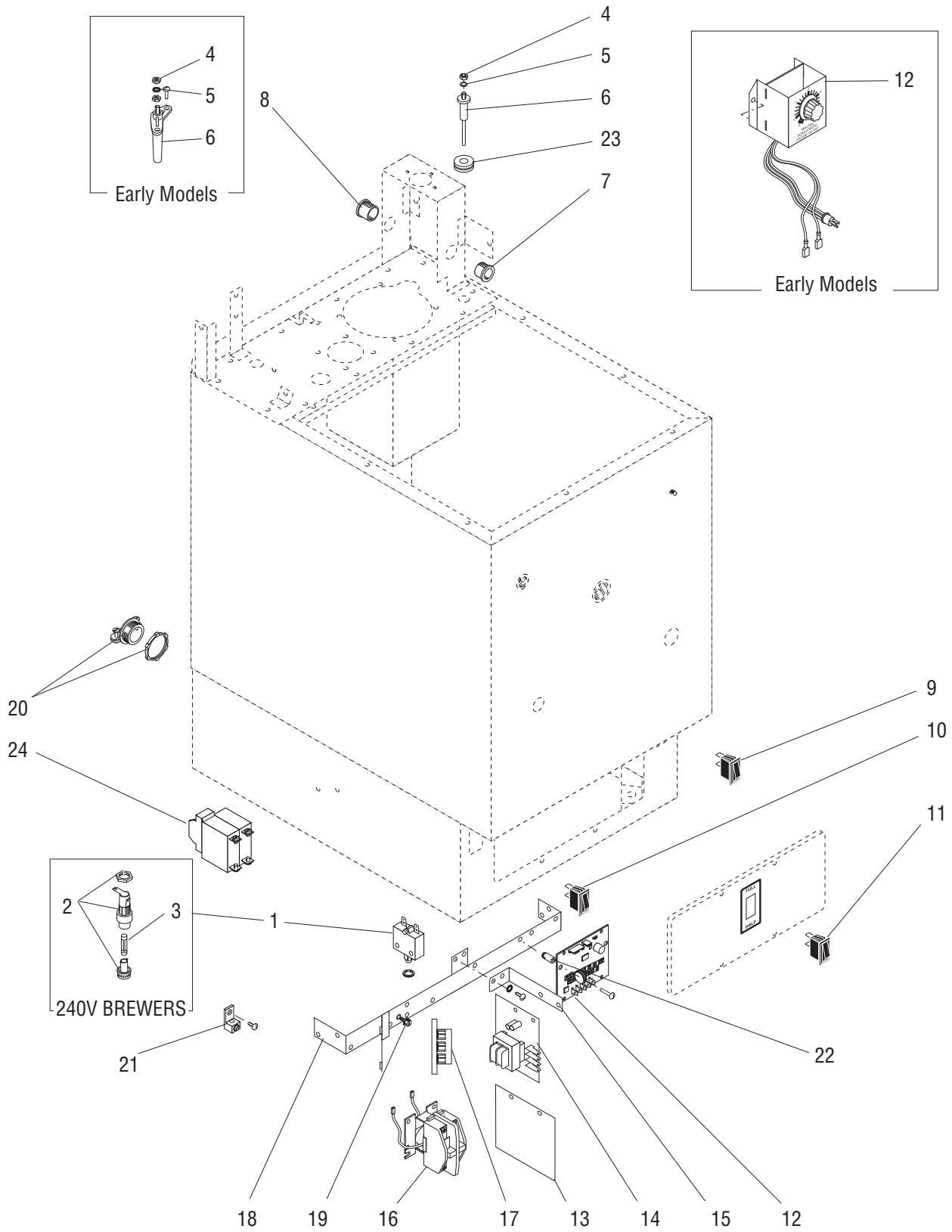
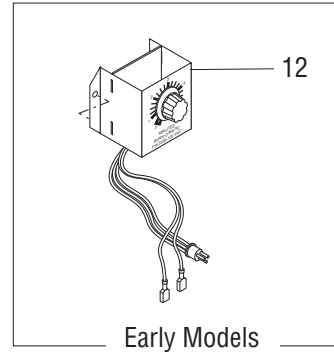
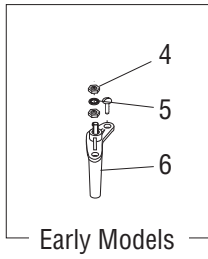
ELECTRICAL AND OPERATING CONTROLS

ITEM	PART NO.	QTY.	DESCRIPTION
1	01260.0000	1	Circuit Breaker, 15 Amp (Includes nut)(120/208V, 120/240V Brewers)
2	03231.0000	1	Fuse Holder (Includes cap & nut)(230V & 240V Brewers)
3	03230.0001	1	Fuse, 5 Amp 250V
	03230.0000	1	Fuse,3/10 Amp 230V Marine Applications
4	00908.0000	2	Nut, Hex #8-32
5	20203.0100	1	Lockwasher, Internal Tooth #8
6	07048.1000	1	Probe Kit, Liquid Level
	07246.1000	1	Probe Kit, Liquid Level (Marine Applications)
	01315.0000	2	Screw, Truss Head #8-32 x .375" } (Includes items 4, 5, 23 & hardware indented below)
7	07070.0000	1	Bushing, Snap .687" Dia Mounting Hole
8	01663.0000	1	Bushing, Snap .875" Dia Mounting Hole
9	03358.0001	1	Switch,Momentary Start (120/240V)
	27904.0000	1	Switch,Momentary Start (230V)
10	03357.0003	1	Switch, ON/OFF (120/240V)
	27727.0000	1	Switch, ON/OFF (230V)
	28305.0000	1	Switch, ON/OFF (120/208V Marine Applications)
11	06426.0000	1	Switch, Half Batch Selector (120/240V)
	27905.0000	1	Switch, Half Batch Selector (230V)
12	-----	-	Timer, 5 Min (120/240V)(Early Models)(Order item 28)
	-----	-	Timer, 5 Min (230V) (Early Models) (Order item 29)
	32400.0002	1	Digital Timer - 120V (Late Models)
	32400.0003	1	Digital Timer - 240V (Late Models)
	01315.0000	2	Screw, Truss Head #8-32 x .375"(Early Models)
	01320.0000	2	Screw, Round Head #8-32 x 1.00" (Late Models)
	00912.0000	2	Fastener, "J" Type #8
13	07105.0000	1	Shield, Protective
14	07074.1000	1	Level Control Board (120/240V)
	07074.1009	1	Level Control Board (230V)
	07074.1013	1	Level Control Board (230V Marine Applications)
	01315.0000	2	Screw, Truss Head #8-32 x .375"
	01512.0000	1	Lockwasher, External Tooth #10
	00970.0000	2	Nut, Keps #8-32
15	02587.0000	1	Bracket, Control Board Mounting
	01315.0000	2	Screw, Truss Head #8-32 x .375"
	00912.0000	2	Fastener, "J" Type #8
16	06335.1000	1	Contactor Assembly (120V)
	27906.1000	1	Contactor Assembly (230V)
	01315.0000	2	Screw, Truss Head #8-32 x .375"
	00912.0000	2	Fastener, "J" Type #8
17	07038.0000	1	Terminal Block
	01317.0000	2	Screw, Truss Head #8-32 x .50"

(Continued)

* Indicates the part number listed is for reference only. See DESCRIPTION for possible service replacement.

(Continued)



ELECTRICAL AND OPERATING CONTROLS

ITEM	PART NO.	QTY.	DESCRIPTION
18	06346.0000	1	Bracket, Component Mounting
	01315.0000	4	Screw, Truss Head #8-32 x .375"
	00912.0000	2	Fastener, "J" Type #8
19	01309.0000	1	Screw, Grounding w/Term. Washer #10-32 x .50"
20	01590.0000	1	Connector, Cable
21	27705.0000	1	Terminal Lug
	01327.0000	1	Screw, Pan Head #10-32 x .38"
22	32530.0001	2	Spacer, Nylon
23	02536.0000	1	Grommet (Late Models)
24	38894.0001	1	Switch, Master ON/OFF
	01308.0002	2	Screw, Truss Head, Locking #6-32 x .25" (Mounting)
	01327.0000	4	Screw, Pan Head #10-32 x .38" (Terminals)
	01512.0000	4	Lockwasher, Ext.-tooth #10
NOTE: Items 24 thru 30 are not illustrated.			
25	06422.0000	1	Wiring Harness, Main (120/240V)
	06422.0002	1	Wiring Harness, Main (120/240V)(Models with Master ON/OFF Switch)
	-----	1	Wiring Harness, Main (120/240V Marine Applications)(Not Serviced)
	28112.0000	1	Wiring Harness, Main (230V)
26	02240.0001	1	Lead 13.5" LG - Pink & Gray - Timer to Batch Selector Switch
27	27945.0004	1	Lead, Thermal Fuse (BLK)
28	27945.0005	1	Lead, Thermal Fuse (RED)
29	29445.0000	1	Wiring Harness, Digital Brew Timer
30	32400.0000	-	Digital Timer Kit - 120V (Replaces early timer with Digital Timer)
31	32400.0001	-	Digital Timer Kit - 240V (Replaces early timer with Digital Timer)
32	38920.0002	1	Wiring Harness, Master ON/OFF Switch

* Indicates the part number listed is for reference only. See DESCRIPTION for possible service replacement.

NUMERICAL INDEX

PART NO.	PAGE NO.	PART NO.	PAGE NO.	PART NO.	PAGE NO.	PART NO.	PAGE NO.
00406.0001	11	01318.0000	5	07011.0000	17	07261.0001	9
00458.0001	11	01319.0000	5	07014.0000	15	07264.0000	9
00471.0000	21	01320.0000	23	07021.0002	7	07272.0000	9
00600.0000	21	01327.0000	11,25	07022.0012	7	07288.0000	5
00601.0000	19	01339.0000	7	07023.0003	7	07289.0002	5
00620.0000	15	01359.0000	17	07024.1002	7	07289.0003	5
00656.0000	5	01390.0000	5	07025.0000	9	12398.0000	13
00675.0000	21	01501.0000	11	07025.0002	9	12555.0000	5
00720.0000	13	01502.0000	13,21	07026.1002	17	12593.0000	5
00725.0000	7	01512.0000	23,25	07032.0000	19	20203.0100	23
00731.0000	5	01520.0000	7	07034.0000	21	20762.0000	13
00823.0000	5	01524.0000	21	07038.0000	23	21695.0001	11
00824.0000	5	01530.0000	17	07044.0000	15	21807.0001	9,11
00824.0001	5	01536.0000	9,11	07045.0000	13	21807.0003	11
00831.0000	5	01537.0000	9	07047.0000	15	23720.0000	9,11
00842.0000	21	01590.0000	25	07048.1000	23	23721.0000	9,11
00878.0000	5	01663.0000	23	07050.0000	9	23723.0000	9,11
00906.0000	7	01975.0000	11	07051.1000	9,11	26687.0003	19
00908.0000	23	02240.0001	25	07052.0000	9	27443.0000	5
00912.0000	15,23,25	02328.0003	13	07052.0002	9	27596.0001	11
00917.0000	5,19	02536.0000	9,11,25	07059.0003	19	27705.0000	25
00929.0001	9	02564.0002	7	07060.0000	19	27727.0000	23
00970.0000	15,17,23	02587.0000	23	07061.0000	19	27904.0000	23
00976.0000	9,11	03132.0002	21	07064.0000	19	27905.0000	23
00978.0000	5	03230.0000	23	07070.0000	23	27906.1000	23
01079.0000	11	03230.0001	23	07072.0000	9	27907.0000	9
01085.0000	11	03231.0000	23	07073.0001	13	27923.0000	13
01100.0000	11	03357.0003	23	07074.1000	23	27945.0004	25
01101.0000	11	03358.0001	23	07074.1009	23	27945.0005	25
01111.0000	11	03408.0000	7	07074.1013	23	28020.0000	9
01116.0000	11	03409.0000	7	07075.0000	9,11	28021.0000	9
01192.0000	7	04957.0000	5	07079.0000	19	28037.0000	9
01201.0000	17,21	06335.1000	23	07083.1000	9	28040.0000	9
01218.0000	19	06346.0000	25	07086.0000	15	28043.0000	9
01219.0000	19	06350.0000	5	07094.0000	21	28112.0000	25
01221.0000	19	06351.0000	5	07096.0002	19	28305.0000	23
01258.0000	9,11	06352.0000	5	07097.0000	15	28531.0000	9
01260.0000	23	06360.0000	5	07097.0004	15	28532.0000	9
01265.0000	19	06362.0000	19	07097.0008	15	28614.0000	15
01267.0000	19	06365.1000	9	07099.0000	21	28617.0000	15
01268.0000	19	06374.0000	21	07105.0000	23	28618.0000	15
01275.0000	21	06395.0000	21	07110.0000	19	28618.0001	15
01276.0000	21	06396.0000	21	07112.0000	9,11	28623.0000	15
01284.0000	21	06407.0000	5	07119.0000	19	28624.0000	15
01287.0000	19	06409.0000	5	07121.0002	7	28626.0000	15
01291.0000	19	06411.0000	5	07127.0000	19	28626.0001	15
01292.0000	19	06418.0000	17	07129.1000	15	28628.0000	15
01293.0000	19	06420.0000	17	07130.0000	15	28629.0000	15
01298.0000	19	06422.0000	25	07149.0000	17	28630.0000	15
01308.0002	25	06422.0002	25	07167.0000	15	28630.0001	15
01309.0000	25	06424.0000	19	07175.0000	7	28631.0000	15
01311.0000	5,19	06426.0000	23	07185.1000	13	26631.0001	15
01315.0000	5,7,13,15	06427.0000	5	07186.1000	13	28632.0000	15
01315.0000	21,23,25	06427.0001	5	07246.1000	23	28707.0002	21
01317.0000	5,23	06434.0000	5	07261.0000	9	29299.0000	5

NUMERICAL INDEX

PART NO.	PAGE NO.	PART NO.	PAGE NO.	PART NO.	PAGE NO.	PART NO.	PAGE NO.
29329.1000.....	13						
29445.0000.....	25						
29648.0000.....	9						
29649.0000.....	9						
32400.0000.....	25						
32400.0001.....	25						
32400.0002.....	23						
32400.0003.....	23						
32530.0001.....	25						
32540.0001.....	5						
36996.0000.....	11						
37005.0000.....	11						
37881.0000.....	5						
38894.0001.....	25						
38920.0002.....	25						
40058.0000.....	9,11						