

## Twin 3 Gallon Automatic Electric Coffee Urn

### Features

#### Automatic Electric Coffee Urn

- Brews 16.3 to 31.2 gallons (61.7 to 118.2 liters) of perfect coffee per hour.
- Unique design assures extremely low evaporation loss to maintain the brew at its flavorful peak.
- Large water tank—over 20 gallons (75.8 liters).
- Draw off hot water during brewing cycle without affecting coffee quality.
- Half-batch option.
- Top mounted components for ease of service.
- All stainless steel construction.
- International electrical configurations available.



#### Model U3\*

Dimensions: 32.4" H x 34.5" W x 21" D  
(82.3cm H x 87.6cm W x 53.3cm D)

For current specification sheets and other information, go to [www.bunn.com](http://www.bunn.com).

*\*International models may vary in appearance*

### Related Products

**Easy Clear® EQHP-10**  
Product No. : 39000.0004



**Easy Clear® EQHP-10L**  
Product No. : 39000.0001

**Easy Clear® EQHP-25**  
Product No. : 39000.0005

**Easy Clear® EQHP-25L**  
Product No. : 39000.0002



**U3 Paper Filters**  
Product No. : 20109.0000  
Packed per case: 250  
Dimensions: 7" Base x 5 1/4" Sidewall  
17.78 cm Base x 13.34 cm Sidewall



**Easy Pour® black decanter**  
Product No. : 06100.0201  
Quantity: 1 (also packaged in quantities of 3 & 24)



**Easy Pour® orange decanter (for decaf)**  
Product No. : 06101.0201  
Quantity: 1 (also packaged in quantities of 3 & 24)



**U3 Drip Tray (Optional)**  
Product No. : 07284.0000  
All Stainless Steel



Model	Agency Listing
U3	

# Dimensions & Specifications



Model	Product #	Volts	Amps	Tank Htr Watts	Total Watts	Capacity per hour	Cubic ft <sup>3</sup> /m <sup>3</sup>	Weight lbs / kg	Cord Attached
U3 (SS)	20500.6000	120/208	27.8	5750	5775	16.3 gal/61.8 liter	16.9 / .48	105 / 47.6	No
U3 (SS)	20500.6004	120/240	28.2	6600	6775	18.8 gal/71.3 liter	16.9 / .48	105 / 47.6	No
U38 (SS)	20500.6072	120/208	38.5	7900	8000	31.2 gal/ 118.2 liter	16.9 / .48	105 / 47.6	No
U38 (SS)	20500.6076	120/240	33.3	7900	8000	31.2 gal/ 118.2 liter	16.9 / .48	105 / 47.6	No

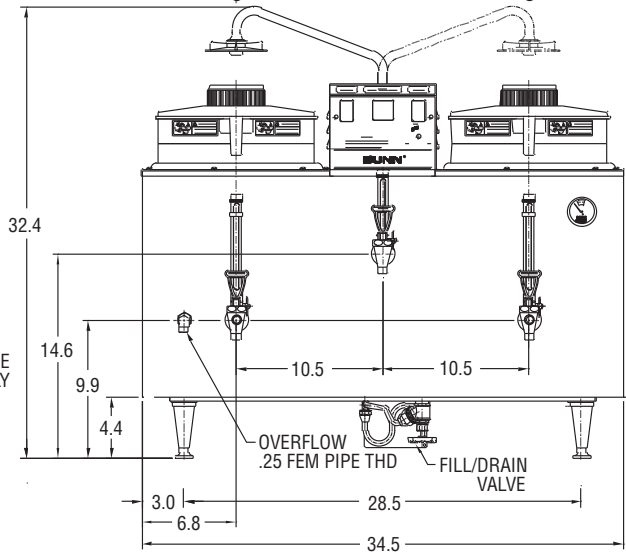
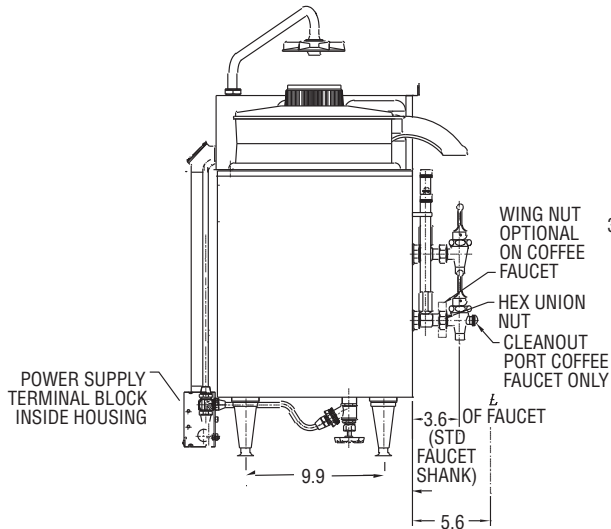
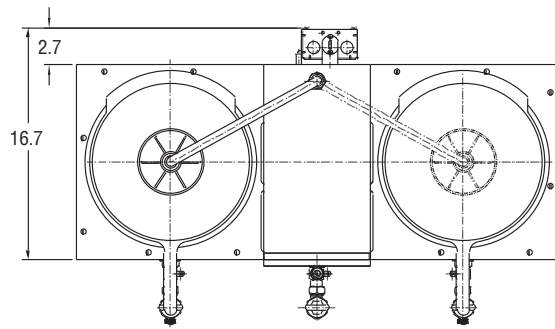
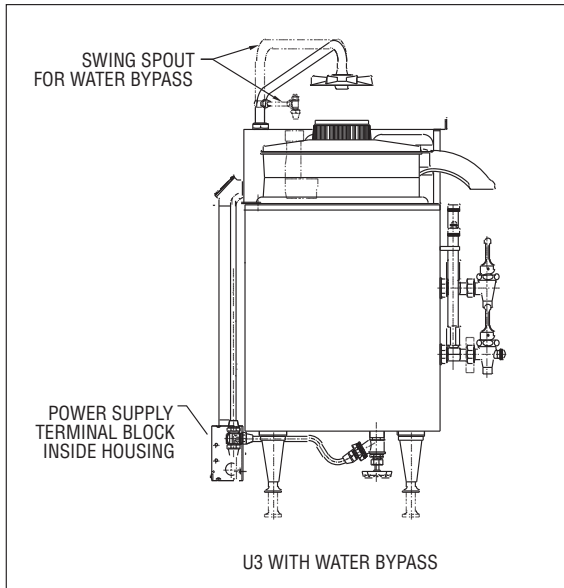
**Note:** SS=Single Service (Faucets on front only), DS=Double Service (Faucets on front & back) available as option - must specify.

Brewing capacity: based upon incoming water temp of 60°F (140°F rise).

Models listed as 120/208V or 120/240V must be connected to 208V or 240V electrical service respectively. Please refer to the installation manual.

Electrical: Model requires 3-wires plus ground service rated 120/240V, single phase, 60 Hz.

Plumbing: 20-90 psi (138-621 kPa). Supplied with 3/8" OD male flare fitting.



Bunn-O-Matic Corporation of Canada - 280 Industrial Pkwy. S. Aurora, Ontario L4G 3T9 • 905-841-2866 • Fax 905-841-2775 • www.bunn.com

BUNN® practices continuous product research and improvement. We reserve the right to change specifications and product design without notice. Such revisions do not entitle the buyer to corresponding changes, improvements, additions or replacements for previously purchased equipment.

All dimensions shown in inches. Bunn Corporation owns all copyrights relating to materials in this publication. Please contact Bunn Corporation to request permission to reproduce any portion of this publication.