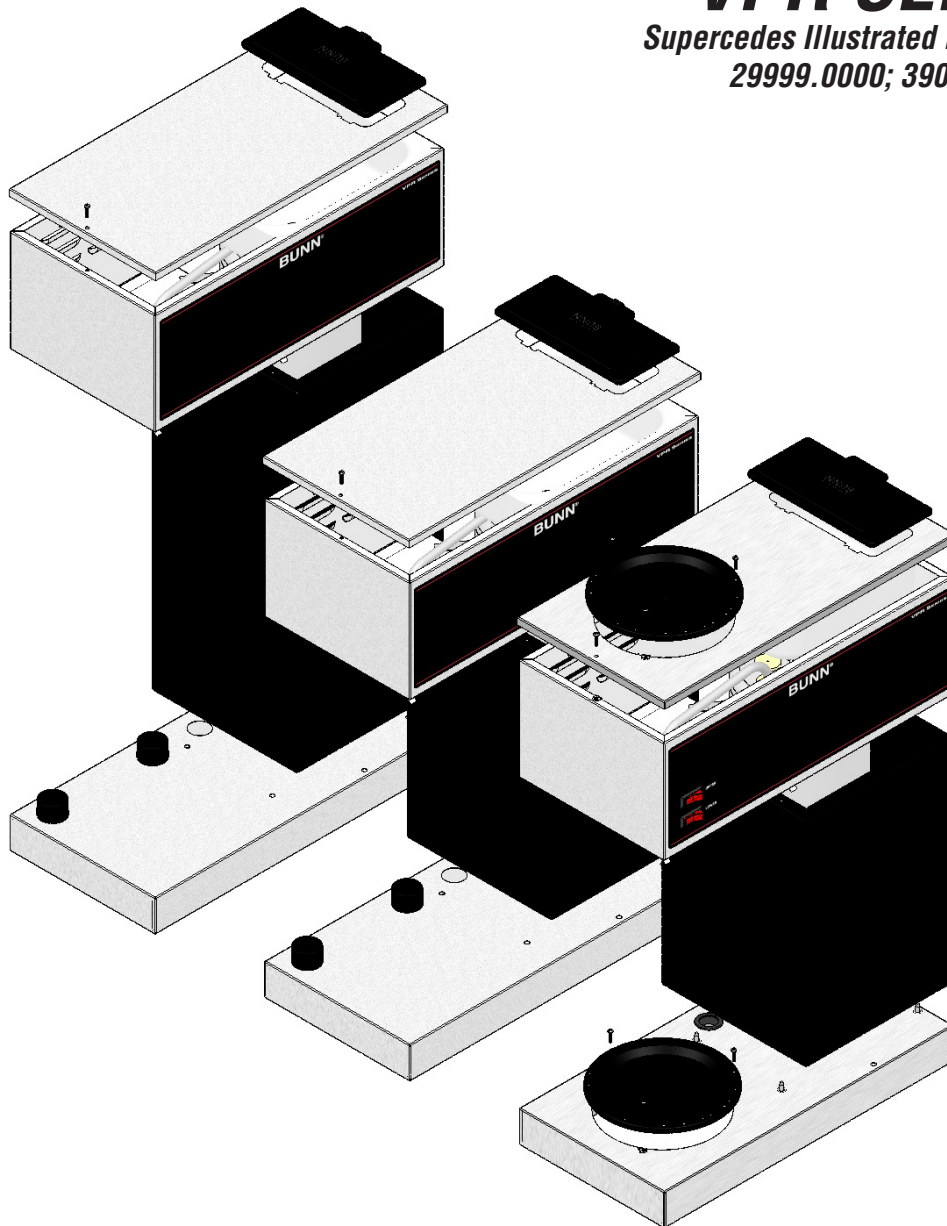


---

# BUNN®

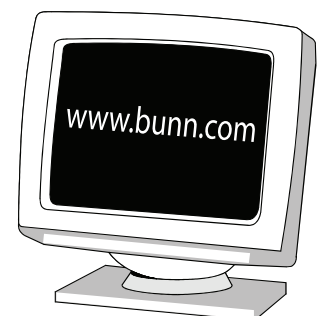
**VPR SERIES**  
Supersedes Illustrated Parts Catalogs:  
29999.0000; 39065.0000



## ILLUSTRATED PARTS CATALOG

Designs, materials, weights, specifications, and dimensions for equipment or replacement parts are subject to change without notice.

**BUNN-O-MATIC CORPORATION**  
POST OFFICE BOX 3227  
SPRINGFIELD, ILLINOIS 62708-3227  
PHONE: (217) 529-6601 FAX: (217) 529-6644



## **BUNN-O-MATIC COMMERCIAL PRODUCT WARRANTY**

Bunn-O-Matic Corp. ("BUNN") warrants equipment manufactured by it as follows:

- 1) All equipment other than as specified below: 2 years parts and 1 year labor.
- 2) Electronic circuit and/or control boards: parts and labor for 3 years.
- 3) Compressors on refrigeration equipment: 5 years parts and 1 year labor.
- 4) Grinding burrs on coffee grinding equipment to grind coffee to meet original factory screen sieve analysis: parts and labor for 3 years or 30,000 pounds of coffee, whichever comes first.

These warranty periods run from the date of installation BUNN warrants that the equipment manufactured by it will be commercially free of defects in material and workmanship existing at the time of manufacture and appearing within the applicable warranty period. This warranty does not apply to any equipment, component or part that was not manufactured by BUNN or that, in BUNN's judgment, has been affected by misuse, neglect, alteration, improper installation or operation, improper maintenance or repair, damage or casualty. This warranty is conditioned on the Buyer 1) giving BUNN prompt notice of any claim to be made under this warranty by telephone at (217) 529-6601 or by writing to Post Office Box 3227, Springfield, Illinois 62708-3227; 2) if requested by BUNN, shipping the defective equipment prepaid to an authorized BUNN service location; and 3) receiving prior authorization from BUNN that the defective equipment is under warranty.

**THE FOREGOING WARRANTY IS EXCLUSIVE AND IS IN LIEU OF ANY OTHER WARRANTY, WRITTEN OR ORAL, EXPRESS OR IMPLIED, INCLUDING, BUT NOT LIMITED TO, ANY IMPLIED WARRANTY OF EITHER MERCHANTABILITY OR FITNESS FOR A PARTICULAR PURPOSE.** The agents, dealers or employees of BUNN are not authorized to make modifications to this warranty or to make additional warranties that are binding on BUNN. Accordingly, statements by such individuals, whether oral or written, do not constitute warranties and should not be relied upon.

If BUNN determines in its sole discretion that the equipment does not conform to the warranty, BUNN, at its exclusive option while the equipment is under warranty, shall either 1) provide at no charge replacement parts and/or labor (during the applicable parts and labor warranty periods specified above) to repair the defective components, provided that this repair is done by a BUNN Authorized Service Representative; or 2) shall replace the equipment or refund the purchase price for the equipment.

**THE BUYER'S REMEDY AGAINST BUNN FOR THE BREACH OF ANY OBLIGATION ARISING OUT OF THE SALE OF THIS EQUIPMENT, WHETHER DERIVED FROM WARRANTY OR OTHERWISE, SHALL BE LIMITED, AT BUNN'S SOLE OPTION AS SPECIFIED HEREIN, TO REPAIR, REPLACEMENT OR REFUND.**

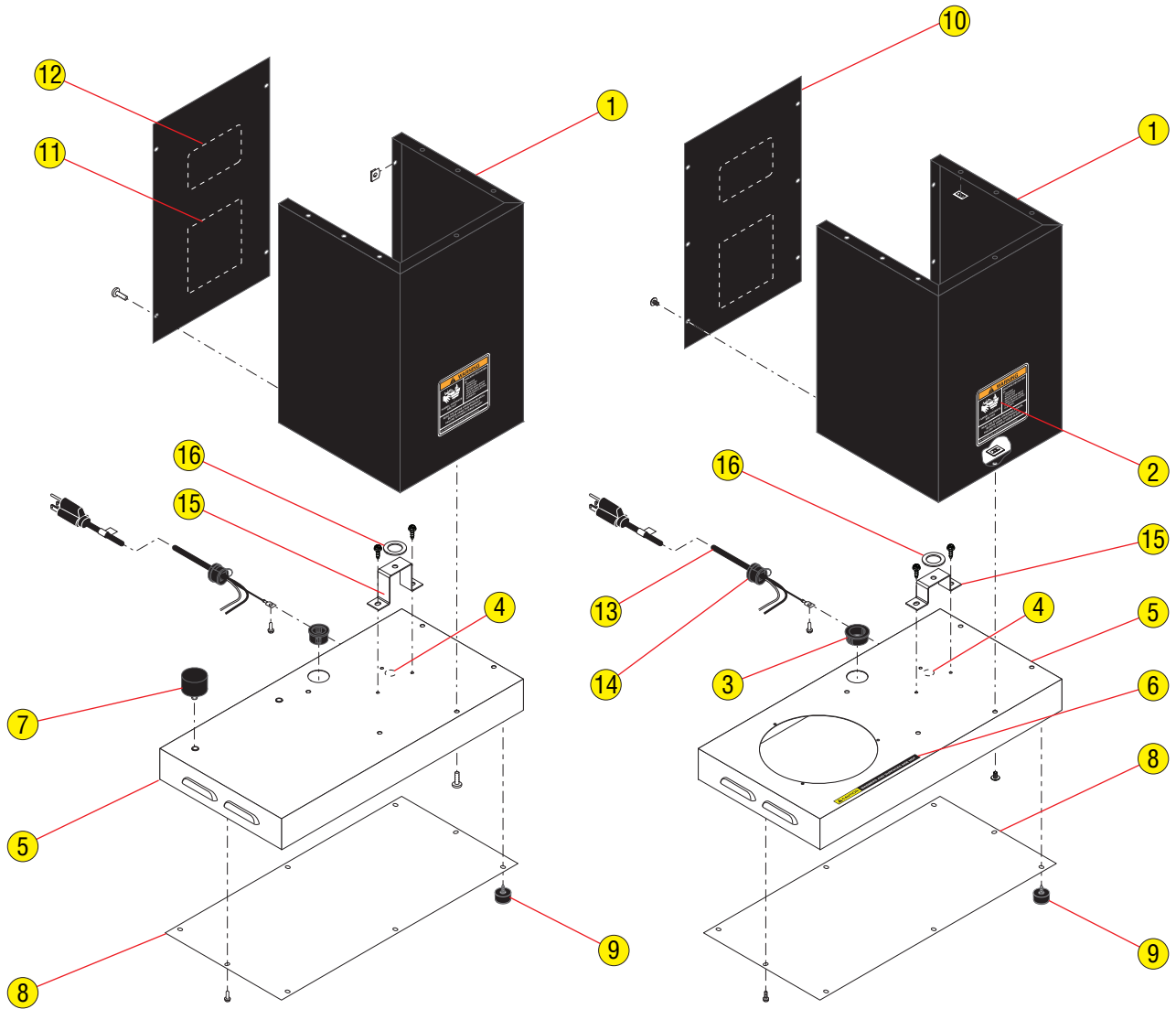
In no event shall BUNN be liable for any other damage or loss, including, but not limited to, lost profits, lost sales, loss of use of equipment, claims of Buyer's customers, cost of capital, cost of down time, cost of substitute equipment, facilities or services, or any other special, incidental or consequential damages.

AutoPOD, AXIOM, BrewLOGIC, BrewMETER, Brew Better Not Bitter, BrewWISE, BrewWIZARD, BUNN Espresso, BUNN Family Gourmet, BUNN Gourmet, BUNN Pour-O-Matic, BUNN, BUNN with the stylized red line, BUNNlink, Bunn-OMatic, Bunn-O-Matic, BUNNserve, BUNNSERVE with the stylized wrench design, Cool Froth, DBC, Dr. Brew stylized Dr. design, Dual, Easy Pour, EasyClear, EasyGard, FlavorGard, Gourmet Ice, Gourmet Juice, High Intensity, iMIX, Infusion Series, Intellisteam, My Café, PowerLogic, Quality Beverage Equipment Worldwide, Safety-Fresh, savemycoffee.com, Scale-Pro, Silver Series, Single, Smart Funnel, Smart Hopper, SmartWAVE, Soft Heat, SplashGard, The Mark of Quality in Beverage Equipment Worldwide, ThermoFresh, 392, A Partner You Can Count On, Air Brew, Air Infusion, Beverage Bar Creator, Beverage Profit Calculator, Brew better, not bitter., BUNNSource, Coffee At Its Best, Cyclonic Heating System, Digital Brewer Control, Nothing Brews Like a BUNN, Pouring Profits, Respect Earth, Respect Earth with the stylized leaf and coffee cherry design, Signature Series, Tea At Its Best, Phase Brew, The Horizontal Red Line, Titan, Ultra are either trademarks or registered trademarks of Bunn-O-Matic Corporation.

## TABLE OF CONTENTS

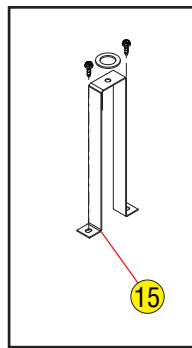
Trunk, Base and Panels .....	4
Hood, and Top Covers .....	6
Fill Basin .....	8
Early Tank and Components .....	10
3 Tab Tank and Components .....	12
Funnels, Pitcher and Filter Basket.....	14
Warmers and Galley Kit.....	16
Numerical Index .....	18

Fraction	Decimal		Fraction	Decimal
<b>1/16</b>	0.063		<b>9/16</b>	0.563
<b>1/8</b>	0.125		<b>5/8</b>	0.625
<b>3/16</b>	0.188		<b>11/16</b>	0.688
<b>1/4</b>	0.250		<b>3/4</b>	0.750
<b>5/16</b>	0.313		<b>13/16</b>	0.813
<b>3/8</b>	0.375		<b>7/8</b>	0.875
<b>7/16</b>	0.438		<b>15/16</b>	0.938
<b>1/2</b>	0.500		<b>1</b>	1.000



TC Model

Warmer Model



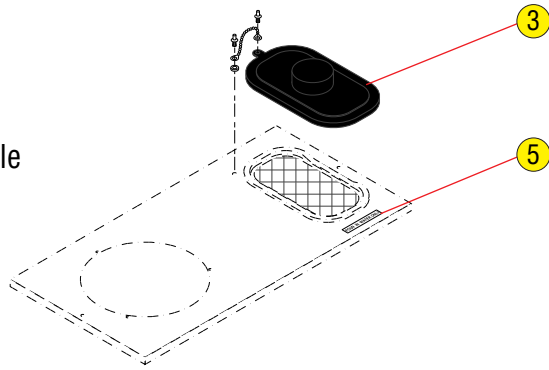
APS Models

## TRUNK, BASE AND PANELS

ITEM	PART NO.	QTY.	DESCRIPTION
1	33211.1005	1	Housing W/Decal, Trunk (Includes # 2) (TC Models)
	33211.1003	1	Housing W/Decal, Trunk (Includes # 2) (APS Models)
	33767.0000	1	Housing W/Decal, Trunk (Includes item 11) (VPR w/Warmers)
2	00658.0000	1	Decal, Caution - Decanter/Funnel
3	01592.0000	1	Bushing, Snap - 1.0" Dia (Late Models)
	01663.0000	1	Bushing, Snap - .875" Dia (Early Models)
4	00824.0000	1	Decal, Ground
5	39002.0002	1	Housing, Base APS/TC
	33766.0000	1	Housing, Base w/Warmer
	36154.0000	5	Screw, Hex Hd, Sltd. #8-32 x .38"
6	12364.0000	1	Decal, CAUTION-WARMERS ARE HOT
7	00754.0001	2	Locator, Blk .25"-20 x 1.25" (APS/TC Only)
8	33210.0000	1	Cover, Base
	02332.0002	4	Screw, Hex-Crimptite #6-32 x .375"
9	04198.0001	-	Kit, Foot (Set of 4)
10	33212.1005	1	Panel W/Decals, Rear (Includes # 11, 12) (TC Models)
	33212.1003	1	Panel W/Decals, Rear (Includes # 11, 12) (APS Models)
	33768.0000	1	Panel W/Decals, Rear (Includes # 11, 12) (Warmer Models)
	02322.0002	6	Screw, Truss Head Blk #8-32 x .375"
	00917.0000	6	Fastener, J Type #8-32
11	00831.0000	1	Decal, Warning-Electrical
12	37881.0000	1	Decal, Warning No Serviceable Parts
13	01637.0000	1	Cord Assembly, Power
	02337.0001	1	Screw, Ground #10 x .375"
14	01686.0000	1	Bushing, Strain Relief - Nylon
15	39777.0000	1	Bracket, Tank Support (Warmer Model)
	39777.0002	1	Bracket, Tank Support (TC Model)
	40157.0000	1	Bracket, Tank Support (APS Model)
	36154.0000	2	Screw, Hex Hd, Sltd. #8-32 x .38"
16	01201.0000	1	Gasket

Used Only In Late Models  
w/New 3 Tab Tank

First Style

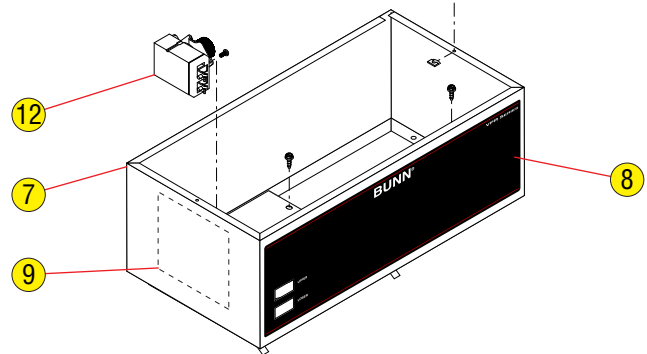
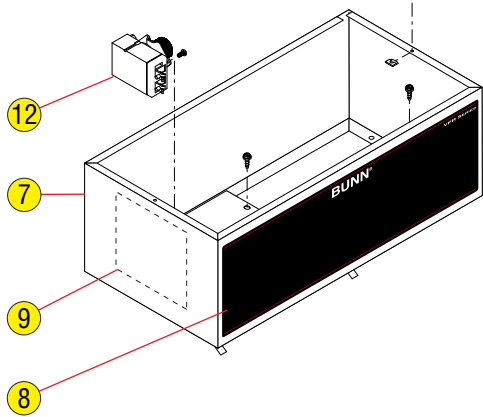
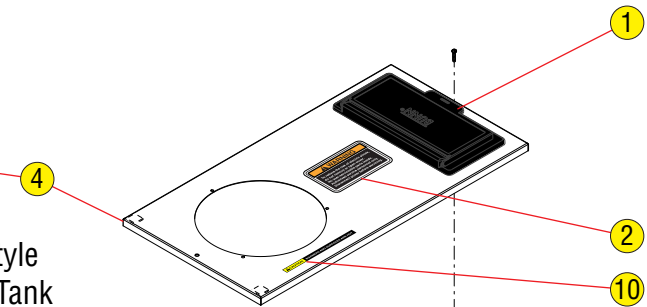
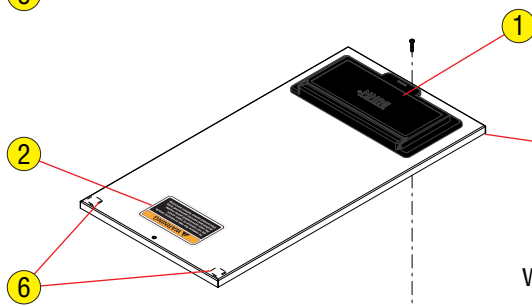
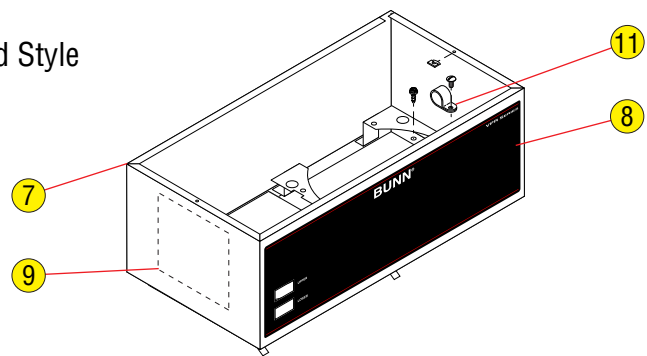
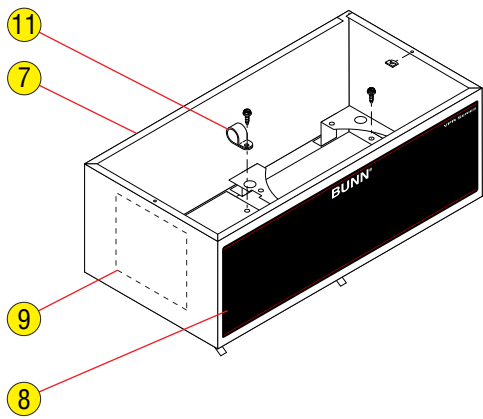


TC/APS Models

Warmer Model

Second Style

Third Style  
w/3 Tab Tank

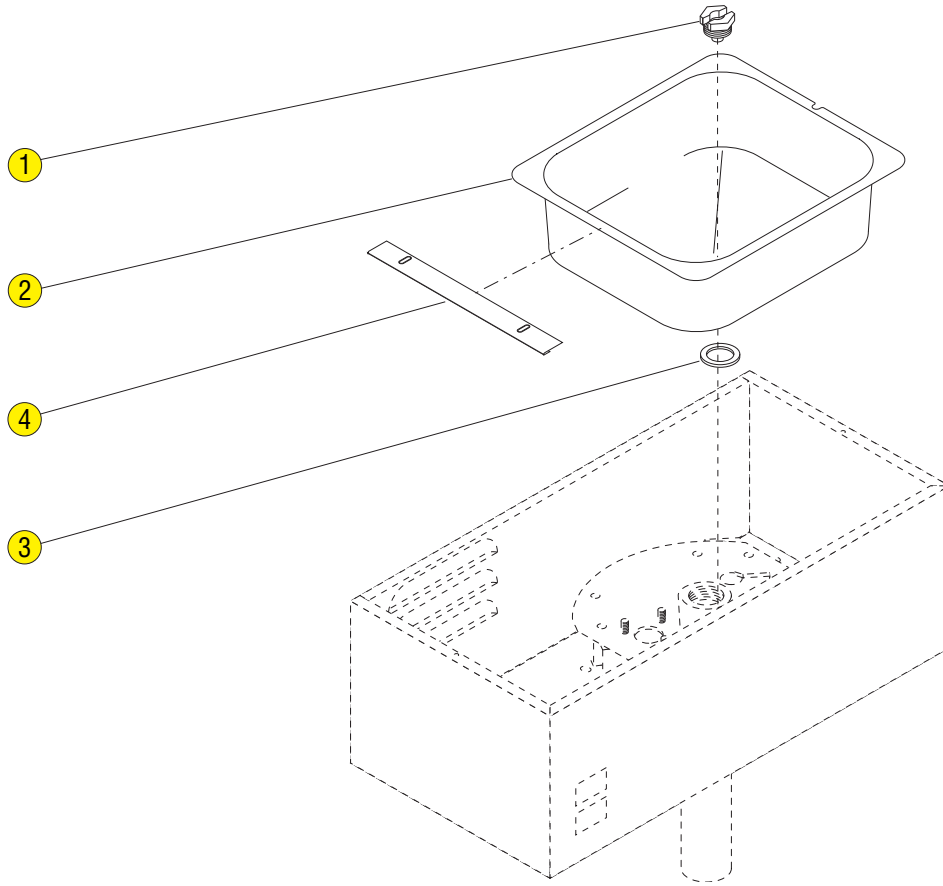


## HOOD AND TOP COVER

ITEM	PART NO.	QTY.	DESCRIPTION
1	38498.1000	1	Flip Lid Assy (Includes items 2 and 3)
2	37881.0000	1	Decal, Warning No Serviceable Parts
3	12981.0001	1	Lid/Chain Kit
4	37985.1003	1	Cover Assembly, Top (TC/APS) (Includes # 1,2,6)
	33797.0000	1	Cover Assembly, Top (Warmer Model) (Includes # 1,2,6, 10)
	01303.0000	2	Screw, Pan Head #4-40 x .50"
	00916.0000	2	Fastener, J-Type #4-40
5	00833.0000	1	Decal, Pour In Water Only ( <i>Not Used On Late Models</i> )
6	29894.0000	2	Pad, Adhesive
7	33094.1000	1	Hood Assembly, (Includes # 8, 9) APS/TC (Early Style)
	37007.0000	1	Hood Assembly, (Includes # 8, 9) Warmer Model (Early Style)
	36154.0000	5	Screw, Hex Hd, Sltd. #8-32 x .38"
	33094.1001	1	Hood Assembly, (Includes # 8, 9) APS/TC (3 Tab Tank)
	37007.0001	1	Hood Assembly, (Includes # 8, 9) Warmer Model (3 Tab Tank)
	36154.0000	6	Screw, Hex Hd, Sltd. #8-32 x .38"
8	33214.0000	1	Decal, Control Panel (w/Switches)
	33214.0003	1	Decal, Control Panel (No Switches)
9	33769.0000	1	Decal, Schematic-Electrical
10	12364.0000	1	Decal, CAUTION-WARMERS ARE HOT
11	00603.0000	1	Clamp
	01315.0000	1	Screw, Truss Head #8-32 x .38"
12	02542.0000	1	Thermostat (3 Tab Tank)
	01311.0000	2	Screw, Truss Head (SST) 8-32 x .25"
	00720.0000	1	Knob

Note: The following items are not illustrated

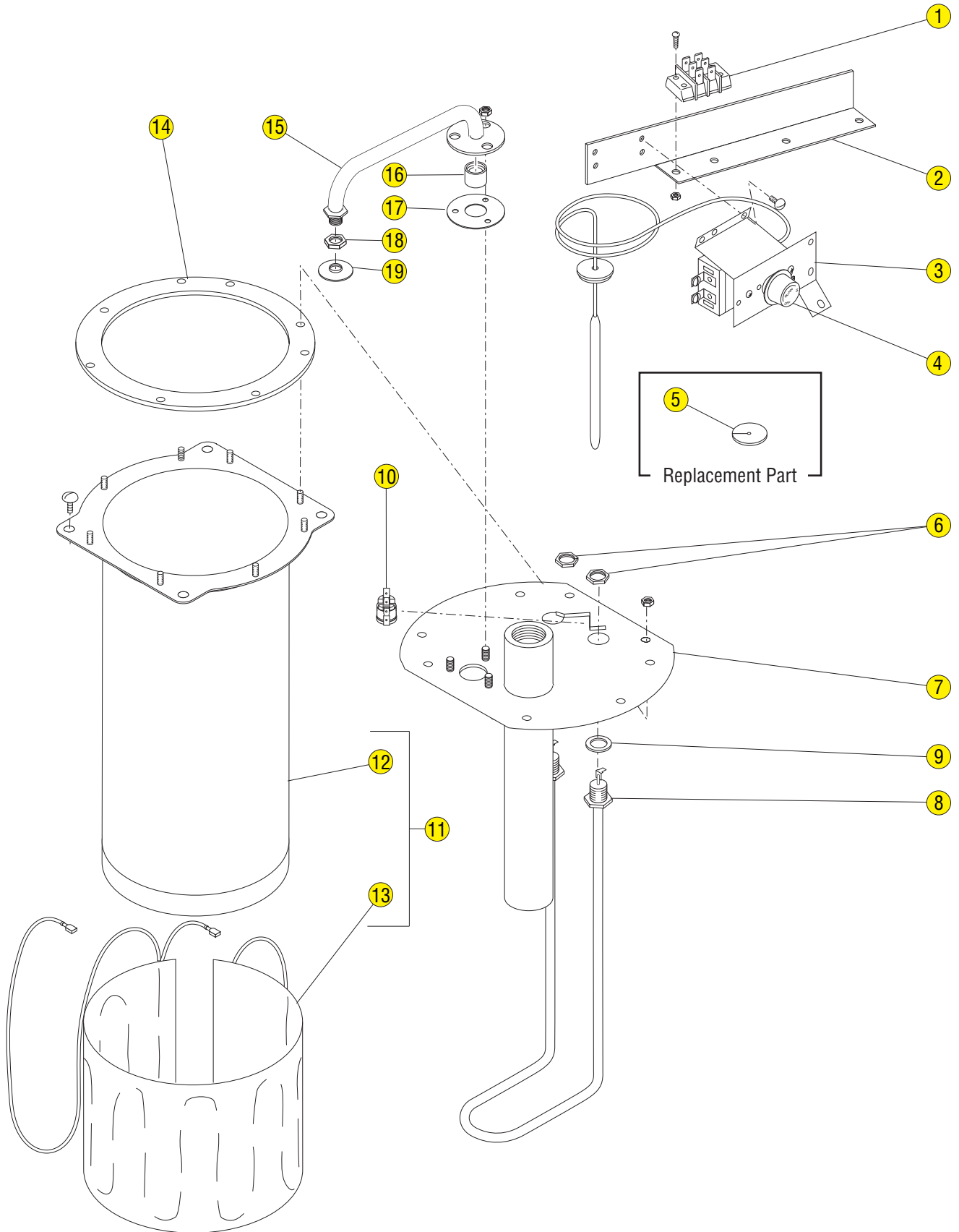
13	33964.0000	1	Wiring Harness, 120V (Warmer Model) Early Style
	33964.0001	1	Wiring Harness, 120V (APS/TC Model) Early Style
	33964.0002	1	Wiring Harness, 120V (Warmer Model) 3 Tab Tank
	33964.0003	1	Wiring Harness, 120V (APS/TC Model) 3 Tab Tank





## FILL BASIN

ITEM	PART NO.	QTY.	DESCRIPTION
1	01212.0001	1	Fitting, Tank Inlet
2	06220.0000	1	Fill Basin (SST)
3	01201.0000	1	Gasket, Tank Inlet
4	11424.0000	1	Plate, Splash Guard

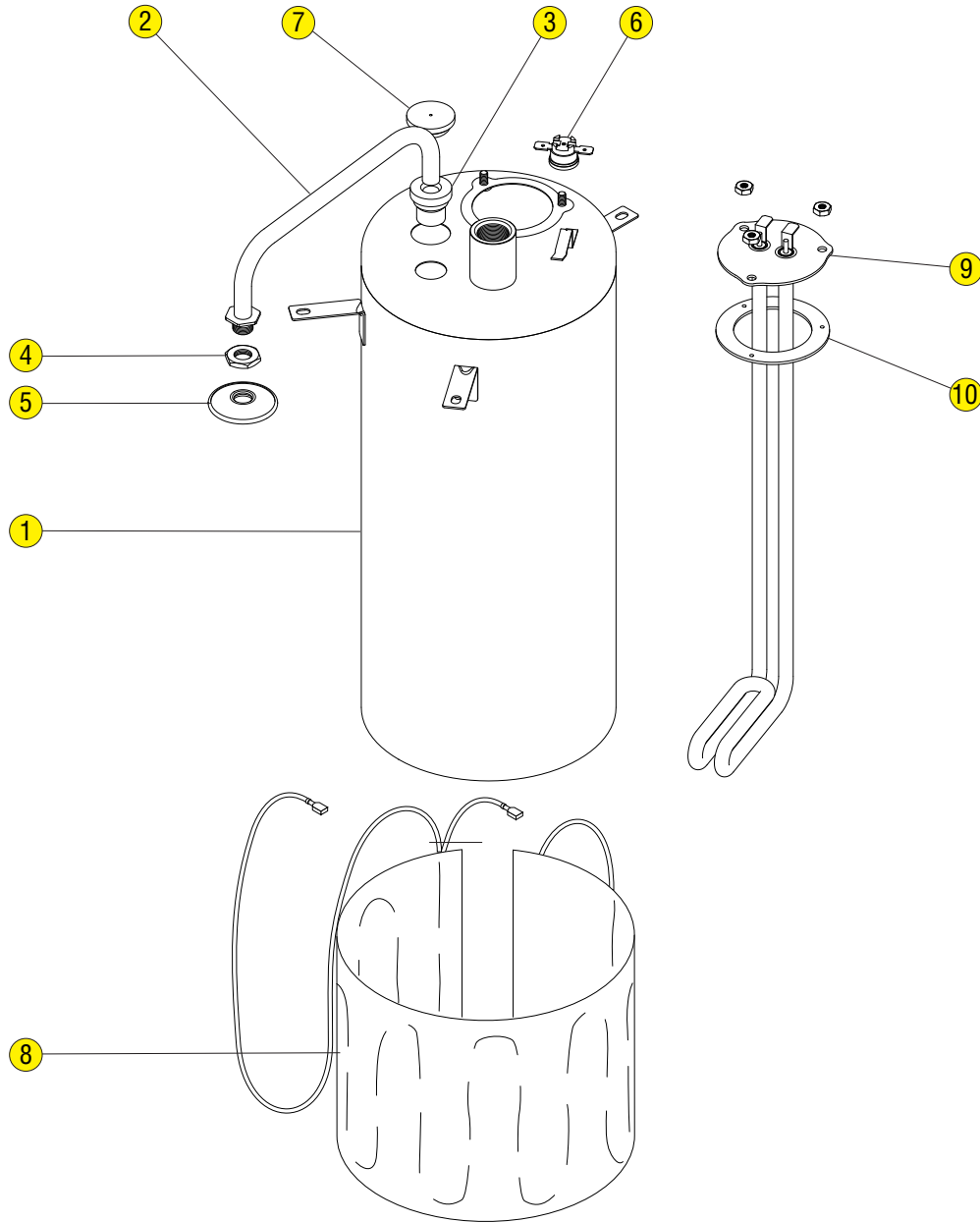


## TANK AND COMPONENTS - EARLY MODELS

ITEM	PART NO.	QTY.	DESCRIPTION
-	05697.0006	1	Tank Assembly, 1320W 120V (Includes items 1 thru 17 & 20 thru 23)
	01315.0000	2	Screw, Truss Head (SST) 8-32 x .38"
1	04309.0000	1	Terminal Block
	01390.0000	2	Screw, Round Head (SST) 8-32 x .62"
	00970.0000	2	Nut, Keps 8-32
2	04307.0000	1	Bracket Assembly, Thermostat/Terminal Block Mounting
3	28319.0000	1	Thermostat Kit (Includes items 4 & 5)
	01311.0000	2	Screw, Truss Head (SST) 8-32 x .25"
	20762.0000	2	Screw, Binding Head 8-32 x .25" (Terminal Screws)
4	00720.0000	1	Knob, Thermostat
5	07073.1000	1	Grommet, Thermostat
6	00942.0000	2	Nut, Hex - Brass .50"-20
7	05545.0000	1	Tank Lid Assembly
	00908.0000	8	Nut, Hex 8-32
8	04236.1000	1	Tank Heater Kit 1320W 120V (Includes item 9)
9	00943.0000	2	Gasket, Tank Heater
10	29329.1000	1	Thermostat, Limit
11	04119.0001	1	Tank W/Blanket Warmer 120V (Includes items 12 & 13)
12	04118.0000	1	Tank
13	20264.0000	1	Blanket Warmer, 55W 120V
14	04221.0000	1	Gasket, Tank Lid
15	05555.0002	1	Sprayhead Tube Kit (Includes 3 mounting nuts below, items 16 & 17)
	00908.0000	3	Nut, Hex 8-32
16	05518.0000	1	Hub, Syphon
17	05515.0000	1	Gasket, Sprayhead Tube
18	01075.0000	1	Nut, Hex .438"-20
19	01082.0000	1	Sprayhead, 6-Hole

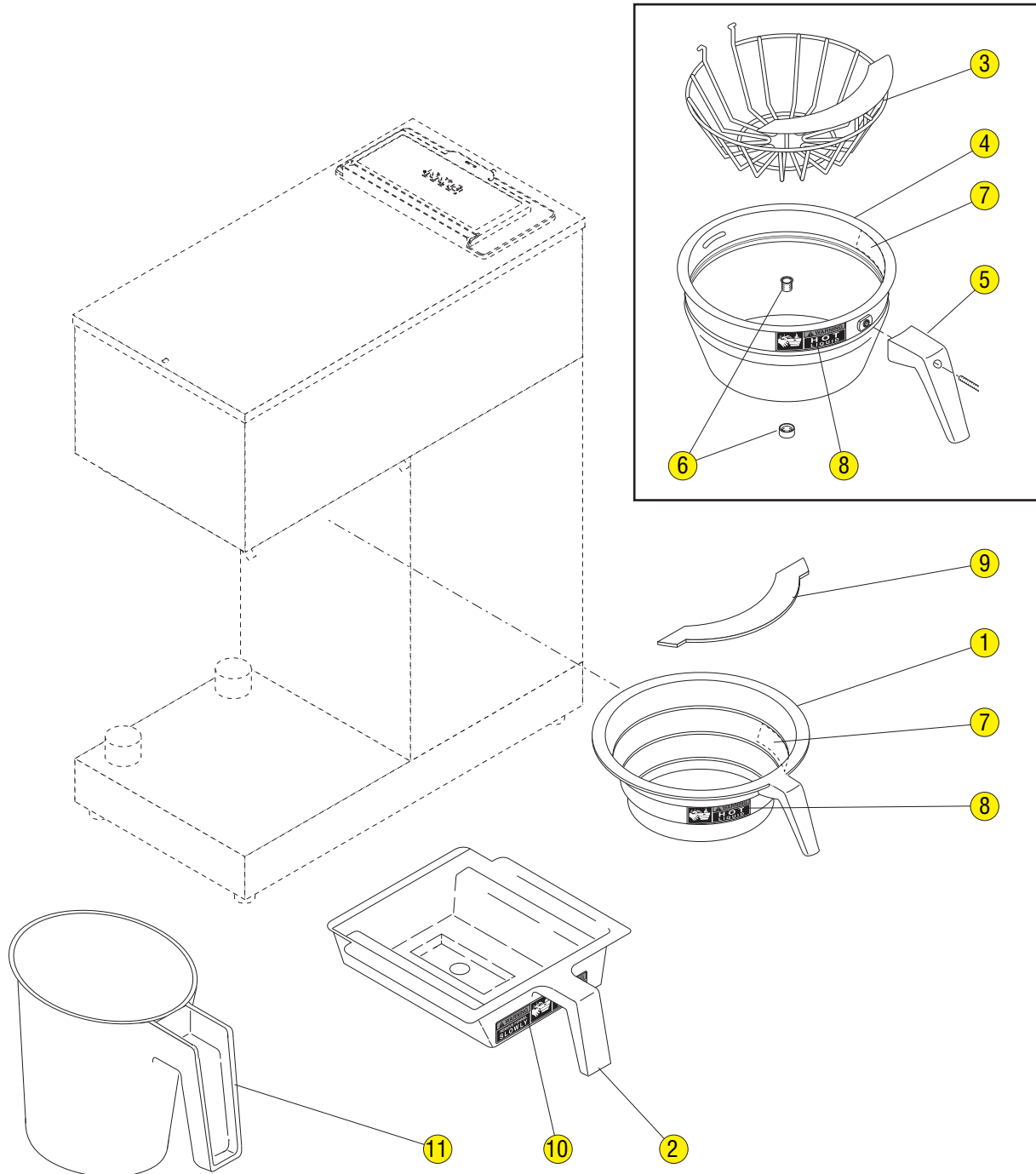
**Note: The following items are not illustrated**

20	21016.0005	1	Lead, Elec - Wht 12" Terminal Block to Heater
21	21016.0303	1	Lead, Elec - Blk 10" Terminal Block to Control Thermostat
22	21016.0079	1	Lead, Elec - Blu/Blk 23" Control Thermo to Limit Thermostat
23	21016.0008	1	Lead, Elec - Blk 4" Limit Thermo to Tank Heater



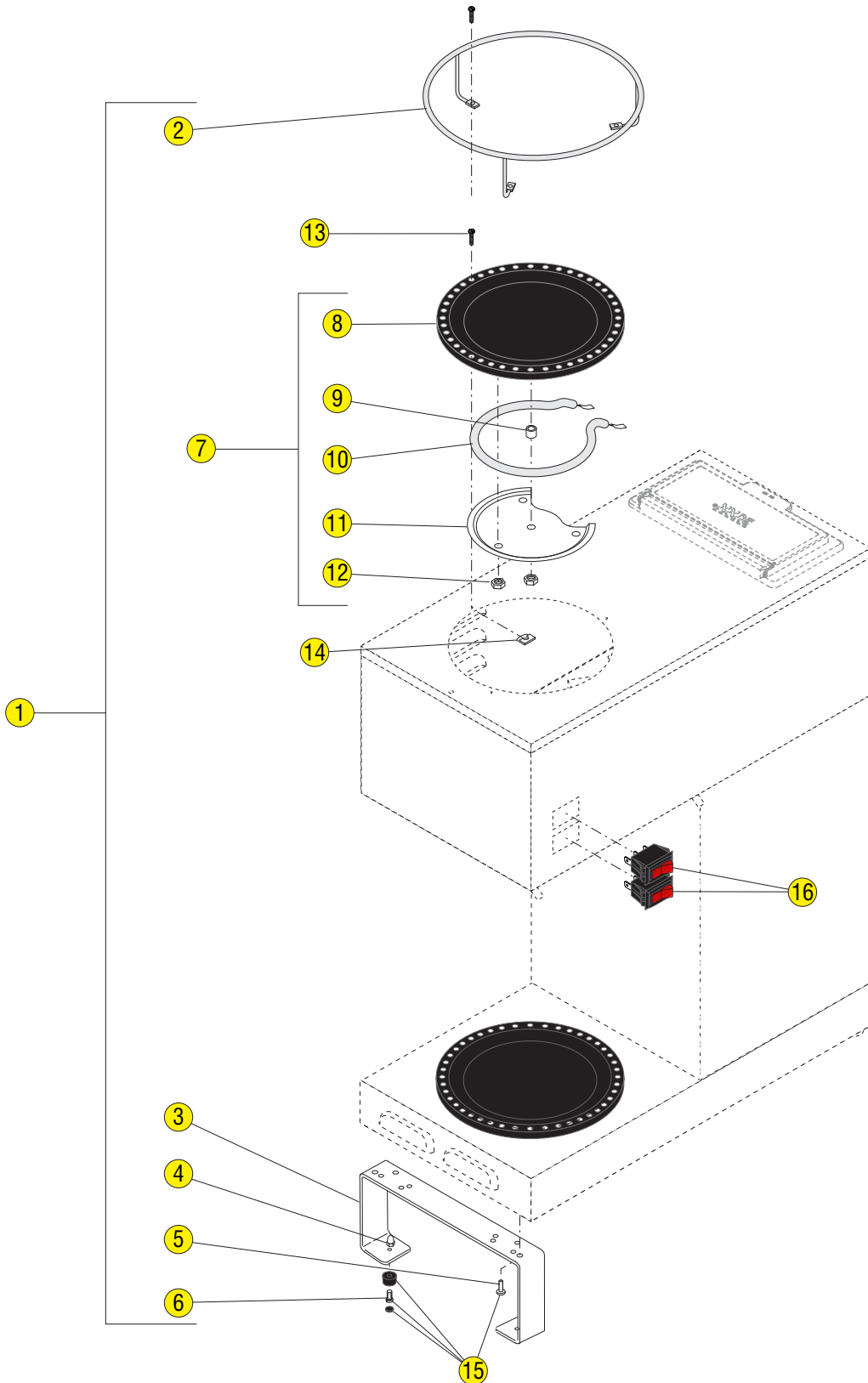
### 3 TAB TANK AND COMPONENTS

ITEM	PART NO.	QTY.	DESCRIPTION
1	39598.0001	1	Tank
2	05555.0001	1	Kit, Sprayhead Tube (Includes Grommet)
3	37376.0001	1	Grommet, Sprayhead Tube
4	01075.0000	1	Nut, Hex .438"-20
5	01082.0000	1	Sprayhead, 6-Hole
6	29329.1000	1	Thermostat, Limit
7	07073.1000	1	Grommet, Thermostat
8	20264.0000	1	Blanket Warmer, 55W 120V
9	39294.1002	1	Tank Heater Kit 1320W 120V (Includes Gaskets)
	00908.0000	3	Nut, Hex 8-32
10	39590.0000	1	Gasket, Tank Heater



## FUNNELS, PITCHER AND FILTER BASKET

ITEM	PART NO.	QTY.	DESCRIPTION
1	20583.0003	1	Funnel W/Decals, Plastic - Blk
	20583.0006	1	Funnel W/Decals, Plastic - Orn
	20216.0000	1	Funnel, SST W/Black Handle (7.125" Dia.) (Includes Items 3 thru 8)
	20216.0001	1	Funnel, SST W/Orange Handle (7.125" Dia.) (Includes items 3 thru 8)
2	02774.0011	1	Funnel W/Decals, Pouch Pack - Blk (Small)
	04274.0012	1	Funnel W/Decals, Pouch Pack - Blk (Large)
3	33088.0000	1	Filter Basket w/Splash Guard
4	28553.0000	1	Funnel, SST (Includes items 7 & 8)
5	20244.1000	1	Handle, Black
	20244.1001	1	Handle, Orange
	01331.0002	1	Screw, Round Head 10-32 x 1.50"
6	01031.0000	1	Funnel Tip Kit
7	03408.0002	1	Decal, Warning-Remove Funnel
8	03409.0002	1	Decal, Warning-Hot Liquid
9	32964.0000	1	Splash Guard
10	28694.0000	1	Decal, Warning-Hot Liquid/Remove Funnel
11	04238.0000	1	Pitcher, 64 oz - Plastic





## WARMERS AND GALLEY KIT

ITEM	PART NO.	QTY.	DESCRIPTION
1	24783.0000	1	Galley Kit (Includes # 2 - 6)
2	24730.0000	2	Galley Rail, SST
	01303.0000	3	Screw, Pan Head (SST) 4-40 x .50"
3	02776.0000	2	Leg, Extension - 3.50HT
4	02324.0000	4	Nut, Acorn (SST) 8-32
5	02332.0002	4	Screw, Hex-Crimptite 6-32 x .38"
6	01390.0000	4	Screw, Round Head - Phillip (SST) 8-32 x .62"
-----			
7	03652.0000	2	Warmer Assembly, Blk 100W 120V (Includes # 8 - 12)
8	03656.0000	2	Warmer Dish, Blk
9	13042.0001	2	Spacer, .174" I.D. .188"
10	01227.0000	2	Warmer Element, 100W 120V
11	05212.0000	2	Plate, Warmer Retainer
12	00970.0000	4	Nut, Keps #8-32
13	01303.0000	6	Screw, Pan Head #4-40 x .50"
14	00916.0000	6	Fastener, J-Type (SST) 4-40
-----			
15	04198.0000	-	Kit, Rubber Feet (Set of 4) <i>Optional</i>
	03995.0000	4	Rubber Foot
	03992.0000	4	Plug, Foot
	01390.0000	4	Screw, Round Head - Phillip (SST) 8-32 x .62"
	02332.0002	4	Screw, Hex-Crimptite 6-32 x .38"
16	33213.0000	2	Warmer Switch

## NUMERICAL INDEX

PART NO.	PAGE NO.	PART NO.	PAGE NO.	PART NO.	PAGE NO.	PART NO.	PAGE NO.
00603.0000.....	7	05555.0001.....	13	38498.1000.....	7		
00658.0000.....	5	05555.0002.....	11	39002.0002.....	5		
00720.0000.....	7,11	05697.0006.....	11	39294.1002.....	13		
00754.0001.....	5	06220.0000.....	9	39590.0000.....	13		
00824.0000.....	5	07073.1000.....	11,13	39598.0001.....	13		
00831.0000.....	5	11424.0000.....	9	39777.0000.....	5		
00833.0000.....	7	12364.0000.....	5,7	39777.0002.....	5		
00908.0000.....	11,13	12981.0001.....	7	40157.0000.....	5		
00916.0000.....	7,17	13042.0001.....	17				
00917.0000.....	5	20216.0000.....	15				
00942.0000.....	11	20216.0001.....	15				
00943.0000.....	11	20244.1000.....	15				
00970.0000.....	11,17	20244.1001.....	15				
01031.0000.....	15	20264.0000.....	11,13				
01075.0000.....	11,13	20583.0003.....	15				
01082.0000.....	11,13	20583.0006.....	15				
01201.0000.....	5,9	20762.0000.....	11				
01212.0001.....	9	21016.0005.....	11				
01227.0000.....	17	21016.0008.....	11				
01303.0000.....	7,17	21016.0079.....	11				
01311.0000.....	7,11	21016.0303.....	11				
01315.0000.....	7,11	24730.0000.....	17				
01331.0002.....	15	24783.0000.....	17				
01390.0000.....	11,17	28319.0000.....	11				
01592.0000.....	5	28553.0000.....	15				
01637.0000.....	5	28694.0000.....	15				
01663.0000.....	5	29329.1000.....	11,13				
01686.0000.....	5	29894.0000.....	7				
02322.0002.....	5	32964.0000.....	15				
02324.0000.....	17	33088.0000.....	15				
02332.0002.....	5,17	33094.1000.....	7				
02337.0001.....	5	33094.1001.....	7				
02542.0000.....	7	33210.0000.....	5				
02774.0011.....	15	33211.1003.....	5				
02776.0000.....	17	33211.1005.....	5				
03408.0002.....	15	33212.1003.....	5				
03409.0002.....	15	33212.1005.....	5				
03652.0000.....	17	33213.0000.....	17				
03656.0000.....	17	33214.0000.....	7				
03992.0000.....	17	33214.0003.....	7				
03995.0000.....	17	33766.0000.....	5				
04118.0000.....	11	33767.0000.....	5				
04119.0001.....	11	33768.0000.....	5				
04198.0000.....	17	33769.0000.....	7				
04198.0001.....	5	33797.0000.....	7				
04221.0000.....	11	33964.0000.....	7				
04236.1000.....	11	33964.0001.....	7				
04238.0000.....	15	33964.0002.....	7				
04274.0012.....	15	33964.0003.....	7				
04307.0000.....	11	36154.0000.....	5,7				
04309.0000.....	11	37007.0000.....	7				
05212.0000.....	17	37007.0001.....	7				
05515.0000.....	11	37376.0001.....	13				
05518.0000.....	11	37881.0000.....	5,7				
05545.0000.....	11	37985.1003.....	7				