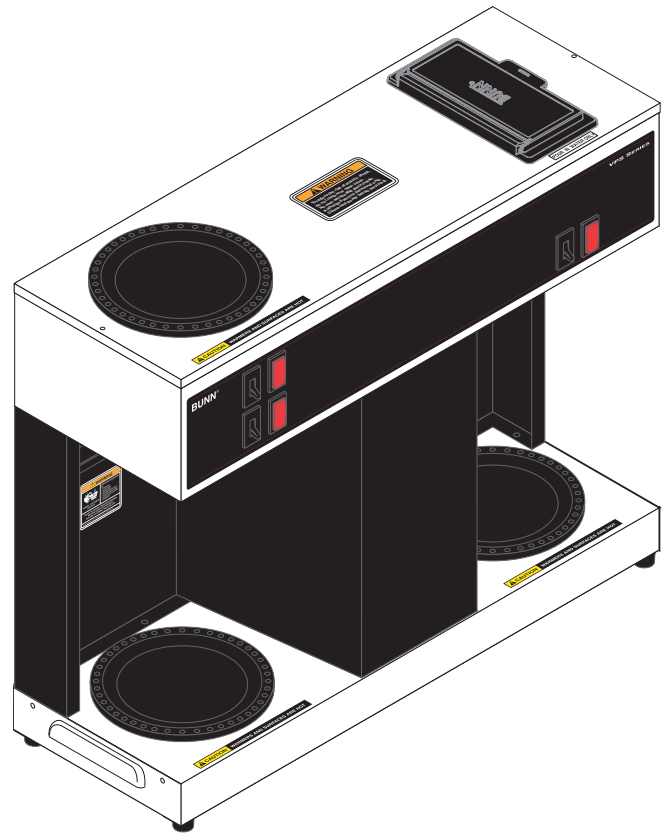
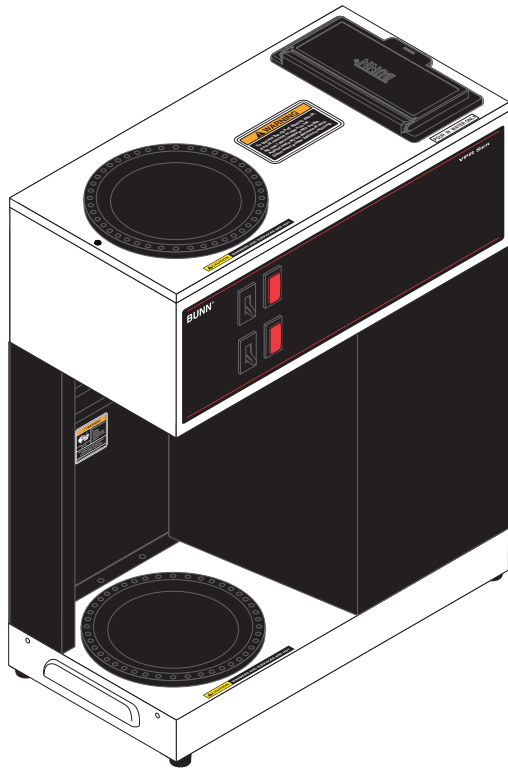


# BUNN®

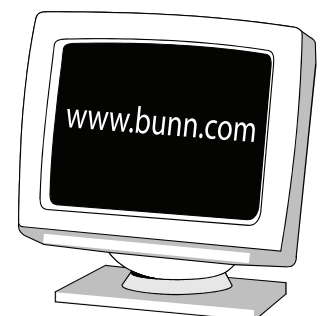
**VPR**  
Prior to S/N VPR0270000  
**VPS**  
Models without Lighted Switches



## ILLUSTRATED PARTS CATALOG

Designs, materials, weights, specifications, and dimensions for equipment or replacement parts are subject to change without notice.

**BUNN-O-MATIC CORPORATION**  
POST OFFICE BOX 3227  
SPRINGFIELD, ILLINOIS 62708-3227  
PHONE: (217) 529-6601 FAX: (217) 529-6644



## **BUNN-O-MATIC COMMERCIAL PRODUCT WARRANTY**

Bunn-O-Matic Corp. ("BUNN") warrants equipment manufactured by it as follows:

- 1) All equipment other than as specified below: 2 years parts and 1 year labor.
- 2) Electronic circuit and/or control boards: parts and labor for 3 years.
- 3) Compressors on refrigeration equipment: 5 years parts and 1 year labor.
- 4) Grinding burrs on coffee grinding equipment to grind coffee to meet original factory screen sieve analysis: parts and labor for 3 years or 30,000 pounds of coffee, whichever comes first.

These warranty periods run from the date of installation BUNN warrants that the equipment manufactured by it will be commercially free of defects in material and workmanship existing at the time of manufacture and appearing within the applicable warranty period. This warranty does not apply to any equipment, component or part that was not manufactured by BUNN or that, in BUNN's judgment, has been affected by misuse, neglect, alteration, improper installation or operation, improper maintenance or repair, damage or casualty. This warranty is conditioned on the Buyer 1) giving BUNN prompt notice of any claim to be made under this warranty by telephone at (217) 529-6601 or by writing to Post Office Box 3227, Springfield, Illinois 62708-3227; 2) if requested by BUNN, shipping the defective equipment prepaid to an authorized BUNN service location; and 3) receiving prior authorization from BUNN that the defective equipment is under warranty.

**THE FOREGOING WARRANTY IS EXCLUSIVE AND IS IN LIEU OF ANY OTHER WARRANTY, WRITTEN OR ORAL, EXPRESS OR IMPLIED, INCLUDING, BUT NOT LIMITED TO, ANY IMPLIED WARRANTY OF EITHER MERCHANTABILITY OR FITNESS FOR A PARTICULAR PURPOSE.** The agents, dealers or employees of BUNN are not authorized to make modifications to this warranty or to make additional warranties that are binding on BUNN. Accordingly, statements by such individuals, whether oral or written, do not constitute warranties and should not be relied upon.

If BUNN determines in its sole discretion that the equipment does not conform to the warranty, BUNN, at its exclusive option while the equipment is under warranty, shall either 1) provide at no charge replacement parts and/or labor (during the applicable parts and labor warranty periods specified above) to repair the defective components, provided that this repair is done by a BUNN Authorized Service Representative; or 2) shall replace the equipment or refund the purchase price for the equipment.

**THE BUYER'S REMEDY AGAINST BUNN FOR THE BREACH OF ANY OBLIGATION ARISING OUT OF THE SALE OF THIS EQUIPMENT, WHETHER DERIVED FROM WARRANTY OR OTHERWISE, SHALL BE LIMITED, AT BUNN'S SOLE OPTION AS SPECIFIED HEREIN, TO REPAIR, REPLACEMENT OR REFUND.**

In no event shall BUNN be liable for any other damage or loss, including, but not limited to, lost profits, lost sales, loss of use of equipment, claims of Buyer's customers, cost of capital, cost of down time, cost of substitute equipment, facilities or services, or any other special, incidental or consequential damages.

AutoPOD, AXIOM, BrewLOGIC, BrewMETER, Brew Better Not Bitter, BrewWISE, BrewWIZARD, BUNN Espresso, BUNN Family Gourmet, BUNN Gourmet, BUNN Pour-O-Matic, BUNN, BUNN with the stylized red line, BUNNlink, Bunn-O-Matic, Bunn-O-Matic, BUNNserve, BUNNSERVE with the stylized wrench design, Cool Froth, DBC, Dr. Brew stylized Dr. design, Dual, Easy Pour, EasyClear, EasyGard, FlavorGard, Gourmet Ice, Gourmet Juice, High Intensity, iMIX, Infusion Series, Intellisteam, My Café, PowerLogic, Quality Beverage Equipment Worldwide, Safety-Fresh, savemycoffee.com, Scale-Pro, Silver Series, Single, Smart Funnel, Smart Hopper, SmartWAVE, Soft Heat, SplashGard, The Mark of Quality in Beverage Equipment Worldwide, ThermoFresh, 392, A Partner You Can Count On, Air Brew, Air Infusion, Beverage Bar Creator, Beverage Profit Calculator, Brew better, not bitter., BUNNSource, Coffee At Its Best, Cyclonic Heating System, Digital Brewer Control, Nothing Brews Like a BUNN, Pouring Profits, Respect Earth, Respect Earth with the stylized leaf and coffee cherry design, Signature Series, Tea At Its Best, Phase Brew, The Horizontal Red Line, Titan, Ultra are either trademarks or registered trademarks of Bunn-O-Matic Corporation.

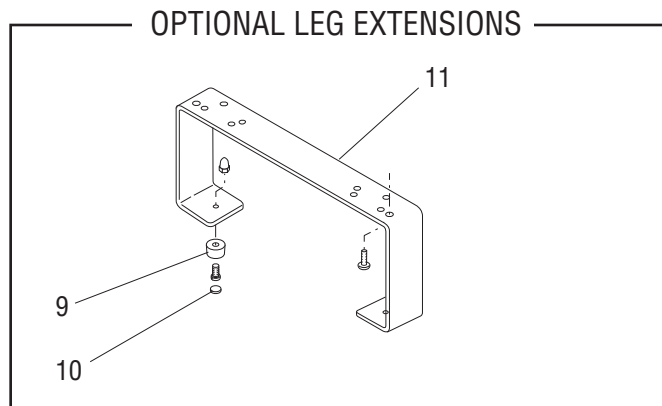
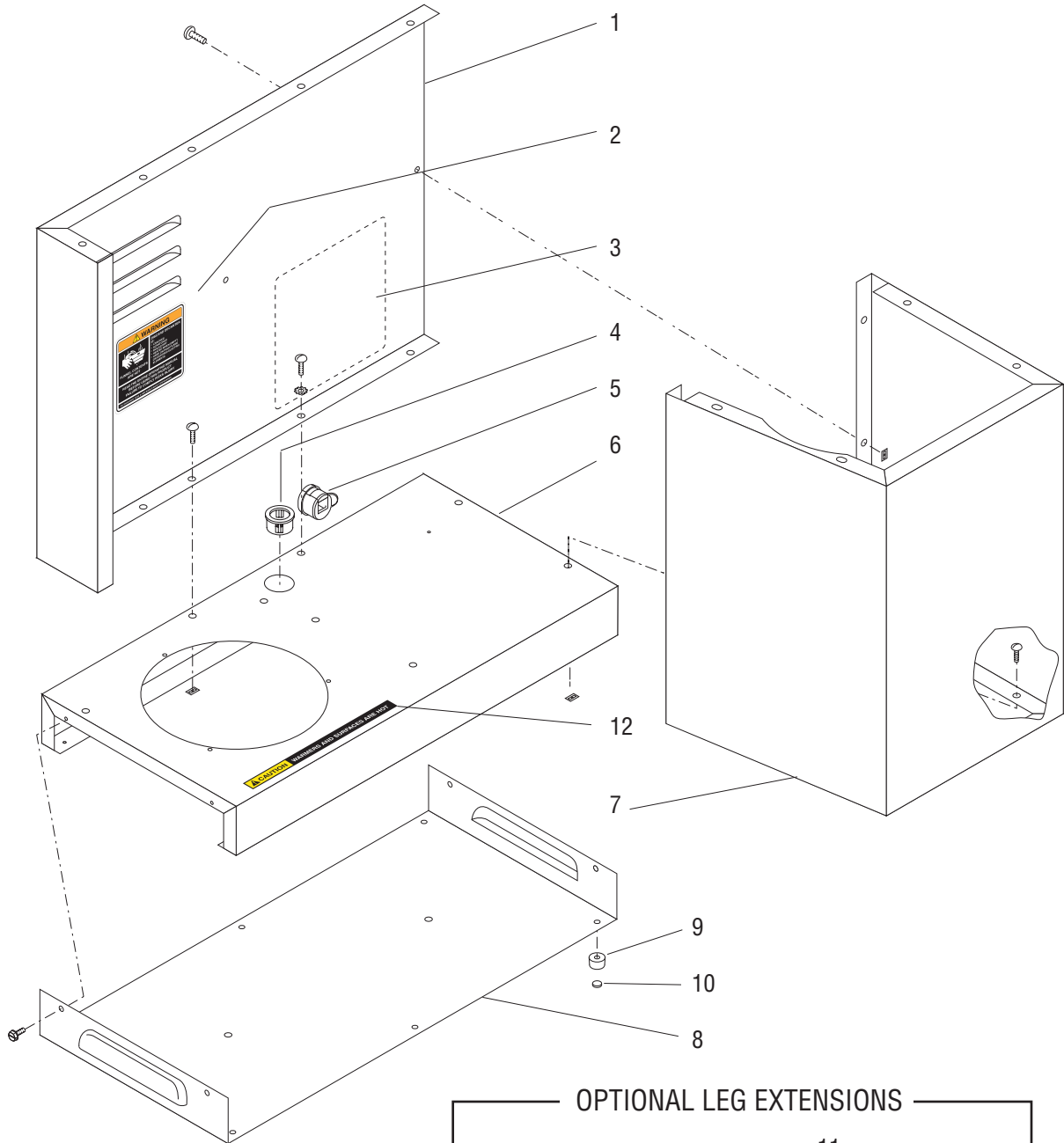
## TABLE OF CONTENTS

Electrical and Operating Controls.....	18
Funnels, Pitcher and Filter Basket.....	22
Fill Basin.....	12
Hood and Top Covers (VPR-VPRA).....	8
Hood and Top Covers (VPS-VPSA).....	10
Galley Kit.....	24
Numerical Index.....	26
Tank and Components.....	14
Trunks and Panel (VPR-VPRA).....	4
Trunks and Panels (VPS-VPSA).....	6

### Explanation of codes:

- 15** - All components in machine are rated for 120 Volts ac, (15 Amps)
- 20** - All components in machine are rated for 120 Volts ac, (20 Amps)
- 35 (120/240V)** - Tank heater rated for 240 volts ac, all other components rated for 120 volts ac (20 Amps)
- DV** - Dual Voltage. 2 tank heaters with toggle switch
- A** - All components in machine are rated for 240 volts ac.
- B** - All components are rated for either 100 volts ac, or 200 volts ac.
- CE** - All components are rated for 230 volts ac for use in Europe.
- APS** - Airpot Server (No warmers)
- TC** - Thermal Carafe (No warmers)

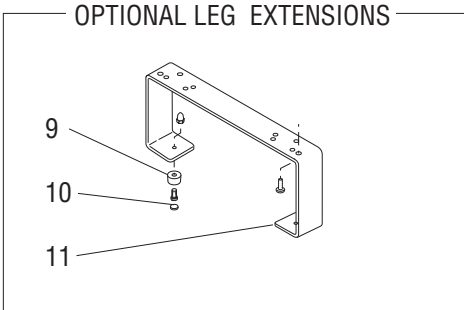
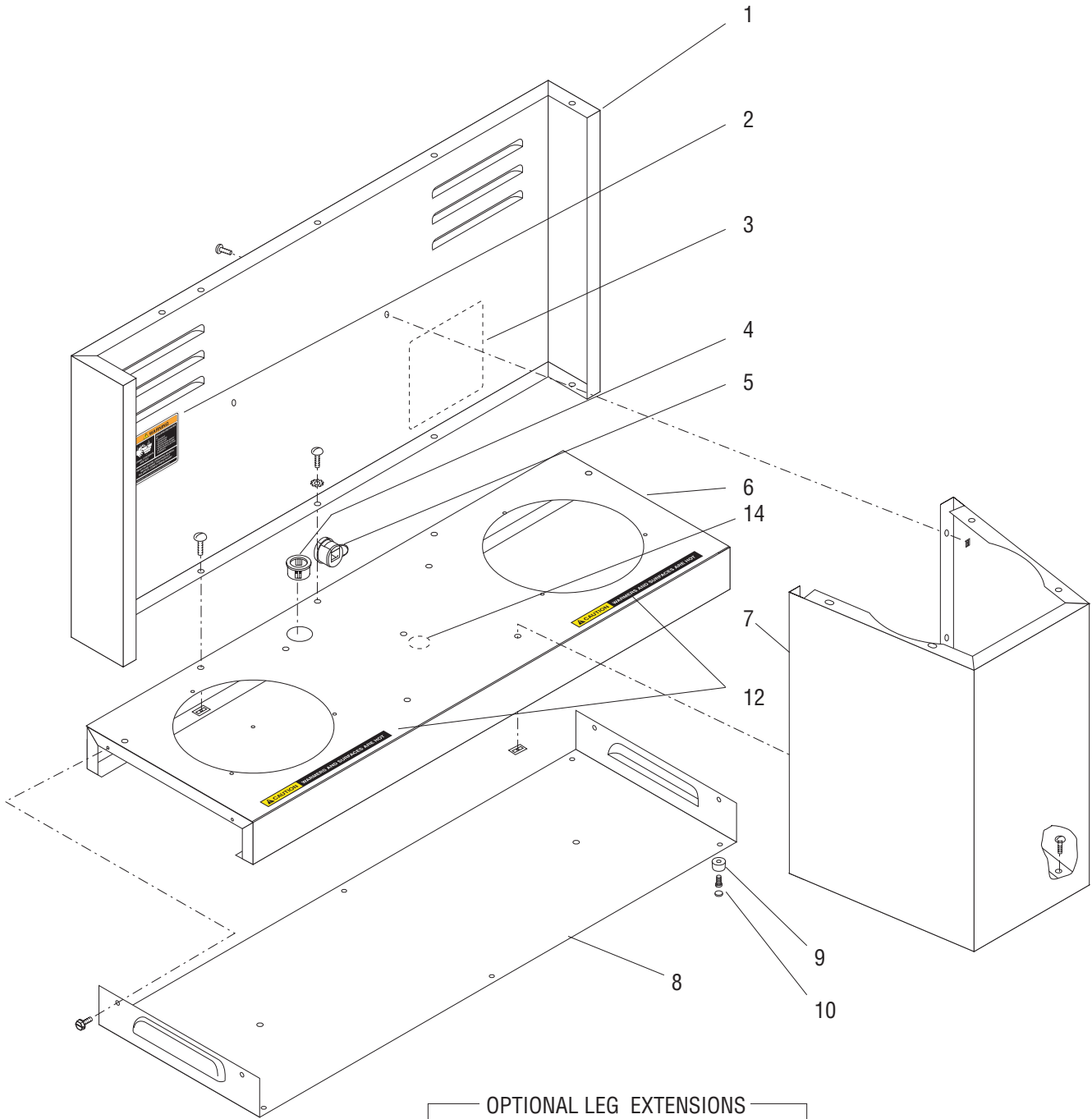
Fraction	Decimal		Fraction	Decimal
<b>1/16</b>	0.063		<b>9/16</b>	0.563
<b>1/8</b>	0.125		<b>5/8</b>	0.625
<b>3/16</b>	0.188		<b>11/16</b>	0.688
<b>1/4</b>	0.250		<b>3/4</b>	0.750
<b>5/16</b>	0.313		<b>13/16</b>	0.813
<b>3/8</b>	0.375		<b>7/8</b>	0.875
<b>7/16</b>	0.438		<b>15/16</b>	0.938
<b>1/2</b>	0.500		<b>1</b>	1.000



## TRUNKS AND PANELS VPR - VPRA

ITEM	PART NO.	QTY.	DESCRIPTION
1	25132.0000	1	Panel W/Decals, Trunk Rear - BRN (Includes items 2 & 3)
	25132.0001	1	Panel W/Decals, Trunk Rear - BLK (Includes items 2 & 3)
	01311.0000	5	Screw, Truss Head #8-32 x .25"
	00978.0000	5	Fastener, Flat Type #8-32
	01511.0000	1	Lock washer, Ext. Tooth #8
2	00658.0000	1	Decal, Caution - Decanter/Funnel
3	00831.0000	1	Decal, Warning-Electrical
4	01663.0000	1	Bushing, Snap - .875" Dia
5	01686.0000	1	Bushing, Strain Relief - Nylon
6	06202.1000	1	Housing, Base (VPR)(Includes item 12)
7	06204.0000	1	Housing, Trunk Front (WG)
	06204.0003	1	Housing, Trunk Front (BLK)
	01311.0000	5	Screw, Truss Head #8-32 x .25"
	00978.0000	5	Fastener, Flat Type #8-32
8	06203.0000	1	Cover, Base
	02332.0002	6	Screw, Hex-Crimptite #6-32 x .375"
9	03995.0000	4	Foot, Rubber - .75 OD x .44 HT
	02332.0002	4	Screw, Hex-Crimptite #6-32 x .38" } Early Models
	-----	4	Foot, Rubber - .75 OD x .44 HT (Order item 13)(Late Models)
	01390.0000	4	Screw, Round Head - Phillip #8-32 x .62" } For Optional
	02324.0000	4	Nut, Acorn - High Crown #8-32 } Leg Extension
10	03992.0000	4	Plug, Foot-Rubber (Early Models)
11	02776.0000	2	Leg, Extensions - 3.5" HT (Optional)
	02332.0002	4	Screw, Hex-Crimptite #6-32 x .38"
12	12364.0000	1	Decal, Caution - warmers are hot
13	04198.0001	-	Kit, Foot (Includes 4 of item 9)

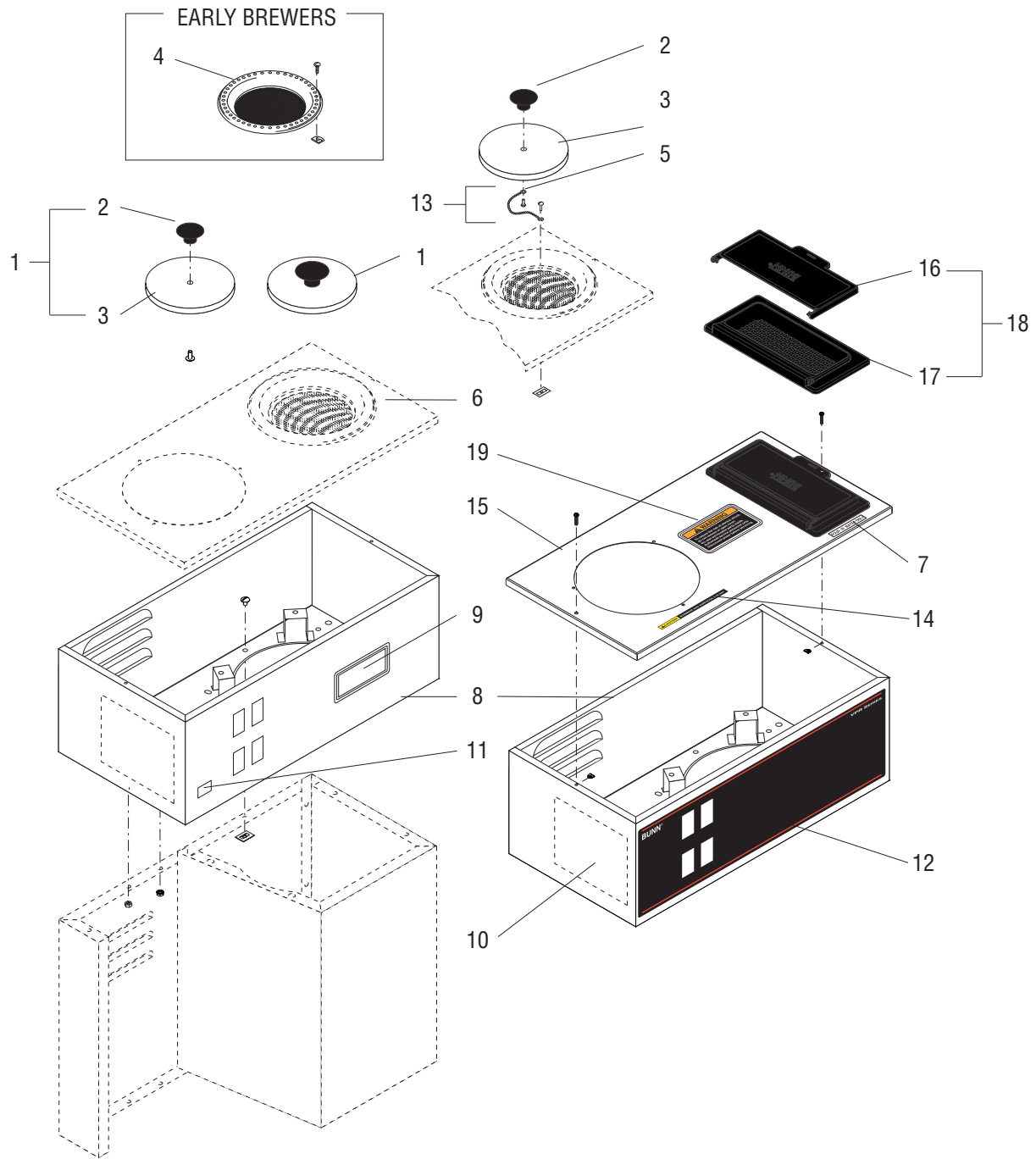
\* Indicates the part number listed is obsolete with no replacement.



## TRUNKS AND PANELS VPS - VPSA

ITEM	PART NO.	QTY.	DESCRIPTION
1	25154.0000*	1	Panel W/Decals, Trunk Rear - BRN (Includes items 2 & 3)
	25154.0001	1	Panel W/Decals, Trunk Rear - BLK (Includes items 2 & 3)
	01311.0000	5	Screw, Truss Head #8-32 x .25"
	00978.0000	5	Fastener, Flat Type #8-32
	01511.0000	1	Lock washer, Ext. Tooth #8
2	00658.0000	1	Decal, Caution - Decanter/Funnel
3	00831.0000	1	Decal, Warning-Electrical
4	01663.0000	1	Bushing, Snap - .875" Dia
5	01686.0000	1	Bushing, Strain Relief - Nylon
6	04273.1000	1	Housing, Base (VPS)(Includes item 12)
	04272.0002	1	Housing, Base (VPSA)
7	04204.0000*	1	Housing, Trunk Front (WG)
	37454.0000	1	Housing, Trunk Front (BLK)
	01311.0000	6	Screw, Truss Head #8-32 x .25"
	00978.0000	6	Fastener, Flat Type #8-32
8	04203.0000	1	Cover, Base
	02332.0002	6	Screw, Hex-Crimptite #6-32 x .375"
9	03995.0000	4	Foot, Rubber - .75 OD x .44 HT
	02332.0002	4	Screw, Hex-Crimptite #6-32 x .38" } Early Models
	-----	4	Foot, Rubber - .75 OD x .44 HT (Order item 13)(Late Models)
	01390.0000	4	Screw, Round Head - Phillip #8-32 x .62" } For Optional
	02324.0000	4	Nut, Acorn - High Crown (SST) #8-32 } Leg Extension
10	03992.0000	4	Plug, Foot-Rubber (Early Models)
11	02776.0000	2	Leg, Extensions - 3.5" HT (Optional)
	02332.0002	4	Screw, Hex-Crimptite #6-32 x .38"
12	12364.0000	2	Decal, Caution - warmers are hot
13	04198.0001	-	Kit, Foot (Includes 4 of item 9)
14	00824.0000	1	Decal, Ground

\* Indicates the part number listed is obsolete with no replacement.

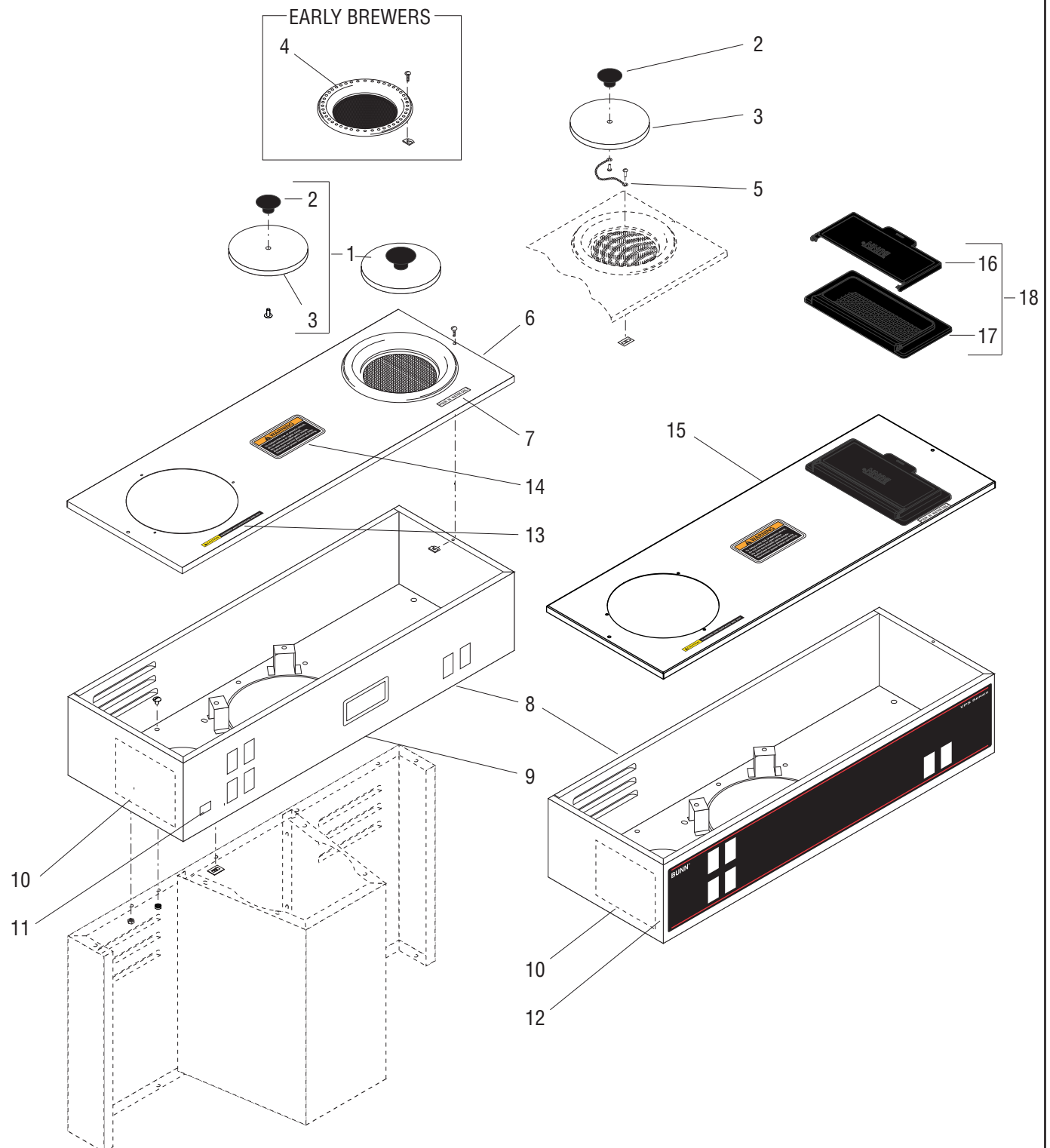




## HOOD AND TOP COVERS VPR - VPRA

ITEM	PART NO.	QTY.	DESCRIPTION
1	01109.0000*	1	Lid Assembly, Pour-In W/BRN Knob (Includes items 2 & 3)
	02564.0002	1	Lid Assembly, Pour-In W/BLK Knob (Includes items 2 & 3)
2	00721.0000*	1	Knob, Brown Threaded
	00725.0000	1	Knob, Black Threaded
	01315.0000	1	Screw, Truss Head #8-32 x .38"
3	02592.0000	1	Cover Plate (SST)
4	02871.0000	1	Screen Assembly, Pour-In (Early Brewers)
	01303.0000	3	Screw, Pan Head #4-40 x .50"
	00916.0000	3	Fastener, J-Type #4-40
5	02793.0000	1	Chain Assembly, 6.5" LG (See Item 13)
	01318.0000	1	Screw, Round Head #8-32 x .50"
	01382.0000	1	Screw, Truss Head #6-32 x .375
	00952.0000	1	Fastener, Flat Type #6-32
6	25130.0000*	1	Cover Assembly, Top W/Decal (Includes items 7 & 14)
	01303.0000	2	Screw, Pan Head #4-40 x .50"
	00916.0000	2	Fastener, J-Type #4-40
7	00833.0000	1	Decal, Pour In Water Only
8	25131.0000	1	Hood Assembly, W/Decal (VPR-WG) (Includes Items 9 & 10)
	25131.0001	1	Hood Assembly, W/Decal (VPR-BLK) (Includes items 10 & 12)
	25131.0002	1	Hood Assembly, W/Decal (VPRA-WG) (Includes items 9, 10 & 11) (Prior to 1/3/97)
	27701.0000	1	Hood Assembly, W/Decal (VPRA-WG) Includes items 9, 10 & 11) (Effective 1/3/97)
	25131.0003	1	Hood Assembly, W/Decal (VPRA-BLK) (Includes items 10 & 12) (Prior to 1/3/97)
	27701.0001*	1	Hood Assembly, W/Decal (VPRA-BLK) (Includes items 10 & 12) (Effective 1/3/97)
	01311.0000	7	Screw, Truss Head #8-32 x .25"
	01315.0000	1	Screw, Truss Head #8-32 x .38"
	00978.0000	6	Fastener, Flat Type #8-32
	00912.0000	2	Fastener, J-Type #8-32
	00908.0000	1	Nut, hex #8-32
	00970.0000	1	Nut, Keps #8-32
	9	00835.0000	1
10	10050.0000	1	Decal, Schematic-Electrical (120V)
11	01906.0000	1	Decal, Power On (VPRA-WG)
12	21137.0000	1	Decal, Control Panel (VPR-BLK) (Shown)
	21137.0001	1	Decal, Control Panel (VPRA-BLK) (Prior to 1/3/97)
	27694.0000*	1	Decal, Control Panel (VPRA-BLK) (Effective 1/3/ 97)
13	02794.0000	1	Chain Kit, Pour-in Lid (Includes item 5 and attaching hardware)
14	12364.0000	1	Decal, Caution - WARMERS ARE HOT
15	38325.0000	1	Cover Assembly, Top W/Decal (Includes items 7, 14, 18, & 19)
16	34435.0001	1	Flip Lid
17	34436.0001	1	Bowl
18	38497.1000	1	Flip Lid Assembly
19	37881.0000	1	Decal, No Serviceable Parts

\* Indicates the part number listed is obsolete with no replacement.

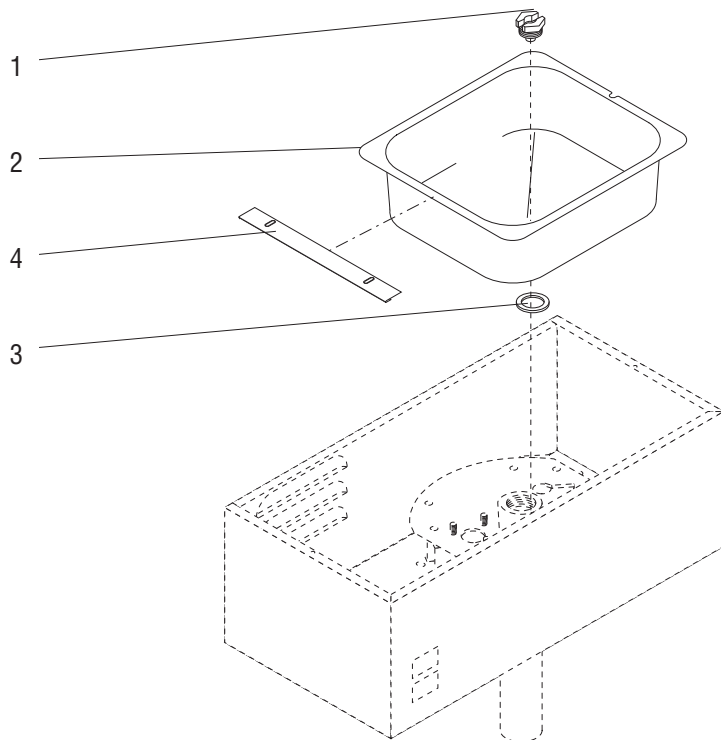


## HOOD AND TOP COVERS VPS - VPSA

ITEM	PART NO.	QTY.	DESCRIPTION
1	01109.0000*	1	Lid Assembly, Pour-In W/BRN Knob (Includes items 2 & 3)
	02564.0002	1	Lid Assembly, Pour-In W/BLK Knob (Includes items 2 & 3)
2	00721.0000*	1	Knob, Brown Threaded
	00725.0000	1	Knob, Black Threaded
	01315.0000	1	Screw, Truss Head #8-32 x .38"
3	02592.0000	1	Cover Plate (SST)
4	02871.0000	1	Screen Assembly, Pour-In (Early Brewers)
	01303.0000	3	Screw, Pan Head #4-40 x .50"
	00916.0000	3	Fastener, J-Type #4-40
5	02793.0000	1	Chain Assembly, 6.5" LG (See Item 13)
	01318.0000	1	Screw, Round Head #8-32 x .50"
	01382.0000	1	Screw, Truss Head #6-32 x .375
	00952.0000	1	Fastener, Flat Type #6-32
	02794.0000	1	Chain Kit, (Includes item 5 and hardware)
6	-----	1	Cover Assembly, (Obsolete, Order Item 15)
	01303.0000	2	Screw, Pan Head #4-40 x .50"
	00916.0000	2	Fastener, J-Type #4-40
7	00833.0000	1	Decal, Pour In Water Only
8	25156.0000	1	Hood Assembly, W/Decal (VPS-WG) (Includes Items 9 &10)
	25156.0001	1	Hood Assembly, W/Decal (VPS-BLK) (Includes items 10 &12)
	-----	1	Hood Assembly, W/Decal (VPSA-WG) (Includes items 9,10 &11) (Prior to 1/3/97)
	27702.0000	1	Hood Assembly, W/Decal (VPSA-WG) (Includes items 9,10 &11) (Effective 1/3/97)
	-----	1	Hood Assembly, W/Decal (VPSA-BLK) (Includes items 10 & 12) (Prior to 1/3/97)
	27702.0001	1	Hood Assembly, W/Decal (VPSA-BLK) (Includes items 10 & 12) (Effective 1/3/97)
	01311.0000	9	Screw, Truss Head #8-32 x .25"
	01315.0000	1	Screw, Truss Head #8-32 x .38"
	00978.0000	8	Fastener, Flat Type #8-32
	00912.0000	2	Fastener, J-Type #8-32
	00908.0000	1	Nut, hex #8-32
	00970.0000	1	Nut, Keps #8-32
9	00835.0000	1	Decal, BUNN POUR-O-MATIC (WG)
10	10049.0000	1	Decal, Schematic-Electrical (120V)
11	01906.0000	1	Decal, Power On (VPSA-WG)
12	21138.0000	1	Decal, Control Panel (VPS-BLK) (Shown)
	21138.0001	1	Decal, Control Panel (VPSA-BLK) (Prior to 1/3/97)
	27695.0000	1	Decal, Control Panel (VPSA-BLK) (Effective 1/3/ 97)
13	12364.0000	1	Decal, Caution - WARMERS ARE HOT
14	37881.0000	1	Decal, No Serviceable Parts
15	25155.0000	1	Cover Assembly, Top W/Decal (Includes items 7, 13, 14, & 18)
16	34435.0001	1	Flip Lid
17	34436.0001	1	Bowl
18	38497.1000	1	Flip Lid Assembly

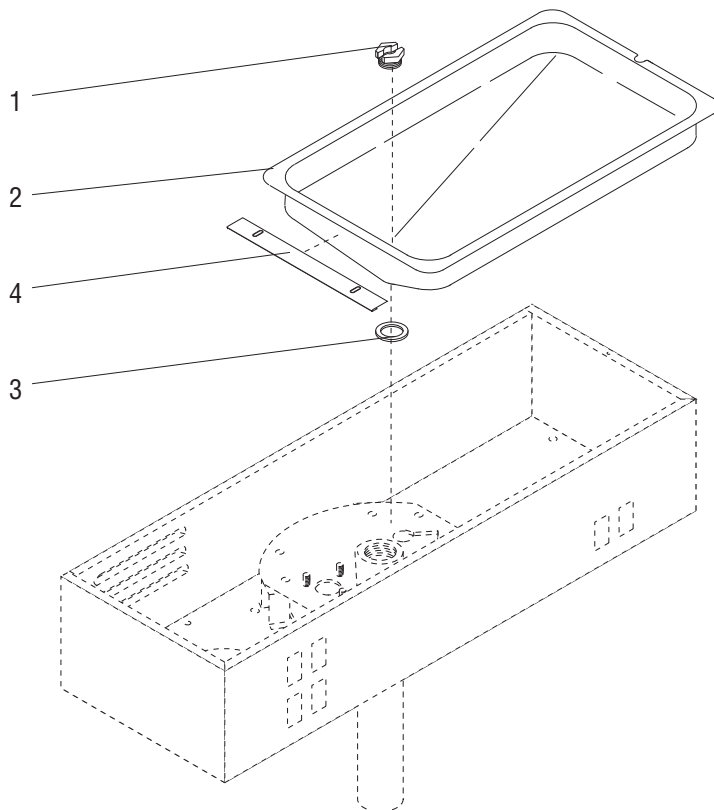
] — Shown

\* Indicates the part number listed is obsolete with no replacement.



**VPR-VPR A**

P-553.50

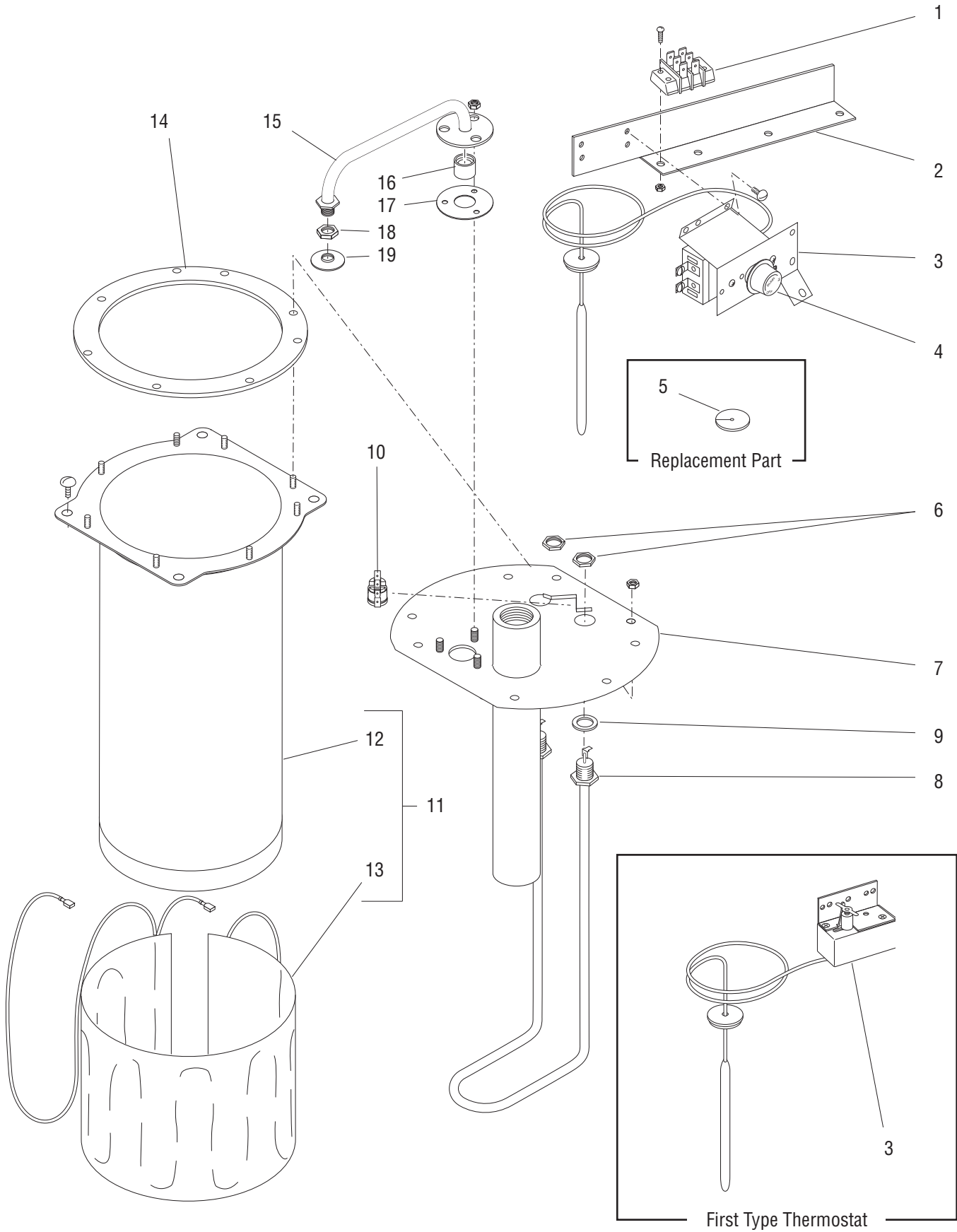


**VPS - VPS A**

P-560.65

## FILL BASIN

ITEM	PART NO.	QTY.		DESCRIPTION
				* VPR - VPRA
				** VPS - VPSA
		*	**	
1	01212.0001	1	1	Fitting, Tank Inlet
2	06220.0000	1	-	Fill Basin (SST)
	04270.0000	-	1	Fill Basin (SST)
3	01201.0000	1	1	Gasket, Tank Inlet
4	11424.0000	1	1	Plate, Splash Guard



## TANK AND COMPONENTS

ITEM	PART NO.	QTY.	DESCRIPTION
-	05697.0006	1	Tank Assembly, 1320W 120V (Includes items 1 thru 17 & 20 thru 23)
	-----	1	Tank Assembly, 1850W 220V (Includes items 1 thru 9, 11 thru 17, 20 thru 22 & 24) (Prior to 1/3/97 on "A" models only. Order new model Tank Assembly)
	27706.0000	1	Tank Assembly, 1850W 220V (Includes items 1 thru 9, 11 thru 17, 20 thru 22 & 24) (Effective 1/3/97 on "A" models only)
	01315.0000	2	Screw, Truss Head (SST) 8-32 x .38"
1	04309.0000	1	Terminal Block
	01390.0000	2	Screw, Round Head (SST) 8-32 x .62"
	00970.0000	2	Nut, Keps 8-32
2	04307.0000	1	Bracket Assembly, Thermostat/Terminal Block Mounting
3	28319.0000	1	Thermostat Kit (Includes items 4 & 5) (Also replaces First Type Thermostat)
	01311.0000	2	Screw, Truss Head (SST) 8-32 x .25"
	20762.0000	2	Screw, Binding Head 8-32 x .25" (Terminal Screws)
4	00720.0000	1	Knob, Thermostat
5	07073.1000	1	Grommet, Thermostat
6	00942.0000	2	Nut, Hex - Brass .50"-20
7	05545.0000	1	Tank Lid Assembly
	00908.0000	8	Nut, Hex 8-32
8	04236.1000	1	Tank Heater Kit 1320W 120V (Includes item 9)
	01925.1000	1	Tank Heater Kit 1850W 220V (Includes item 9)
9	00943.0000	2	Gasket, Tank Heater
10	29329.1000	1	Thermostat, Limit (Not used on "A" Models)
11	04119.0001	1	Tank W/Blanket Warmer 120V (Includes items 12 & 13)
	04133.0000	1	Tank W/Blanket Warmer 220V (Includes items 12 & 13)
12	04118.0000	1	Tank
13	20264.0000	1	Blanket Warmer, 55W 120V
	01927.0000	1	Blanket Warmer, 50W 220V
14	04221.0000	1	Gasket, Tank Lid
15	05555.0002	1	Sprayhead Tube Kit (Includes 3 mounting nuts below, items 16 & 17)
	00908.0000	3	Nut, Hex 8-32
16	05518.0000	1	Hub, Syphon
17	05515.0000	1	Gasket, Sprayhead Tube
18	01075.0000	1	Nut, Hex .438"-20
19	01082.0000	1	Sprayhead, 6-Hole
	01082.0005	1	Sprayhead, 5-Hole (Optional)
	01082.0006	1	Sprayhead, 1-Hole (Optional-Pouch Pack)

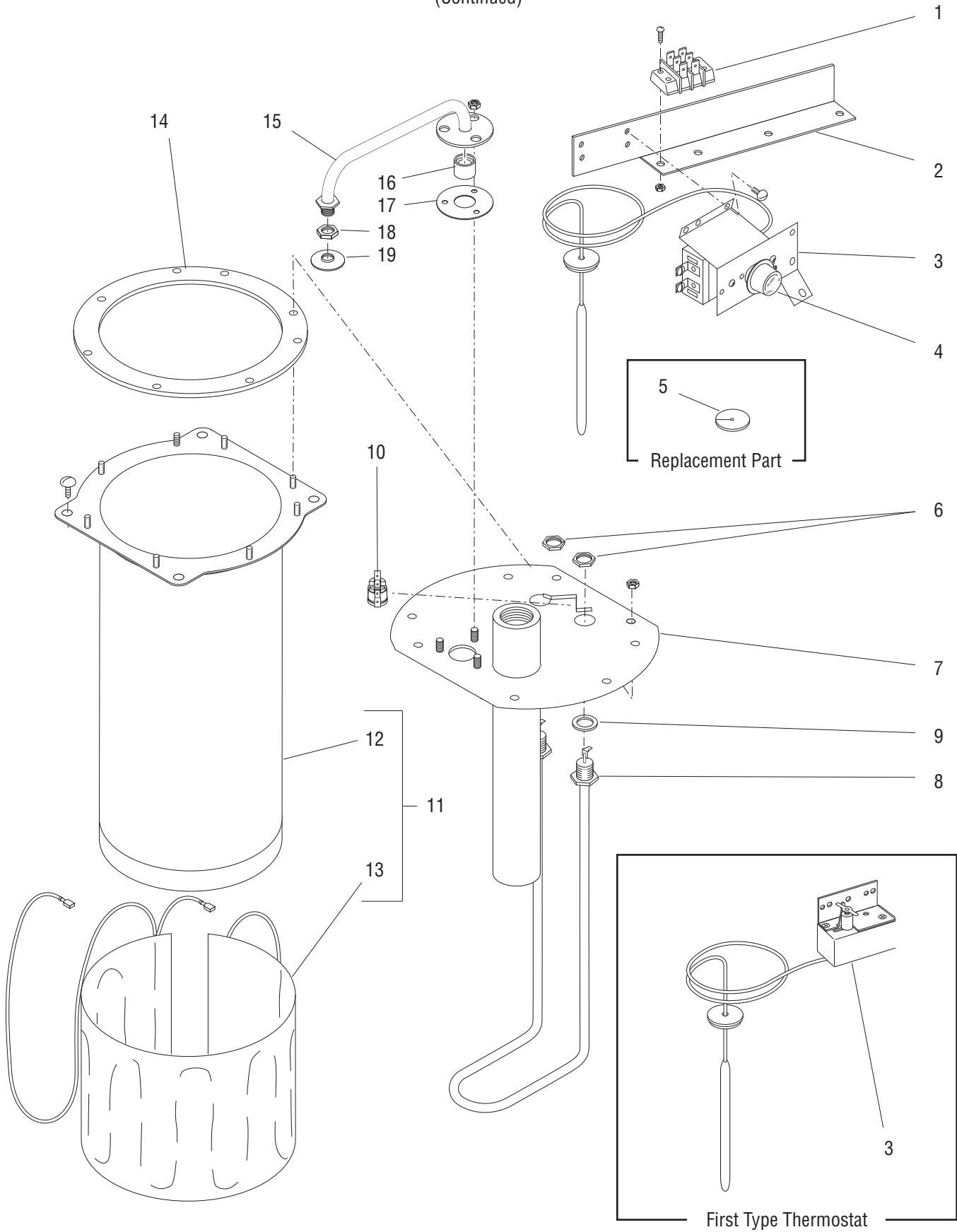
Note: The following items are not illustrated

20	21016.0005	1	Lead, Elec - Wht 12" Terminal Block to Heater (VPR-VPS)
	21016.0049	1	Lead, Elec - Red 12" Terminal Block to Heater (VPRA-VP5A)

(Continued)

\* Indicates the part number listed is obsolete with no replacement.

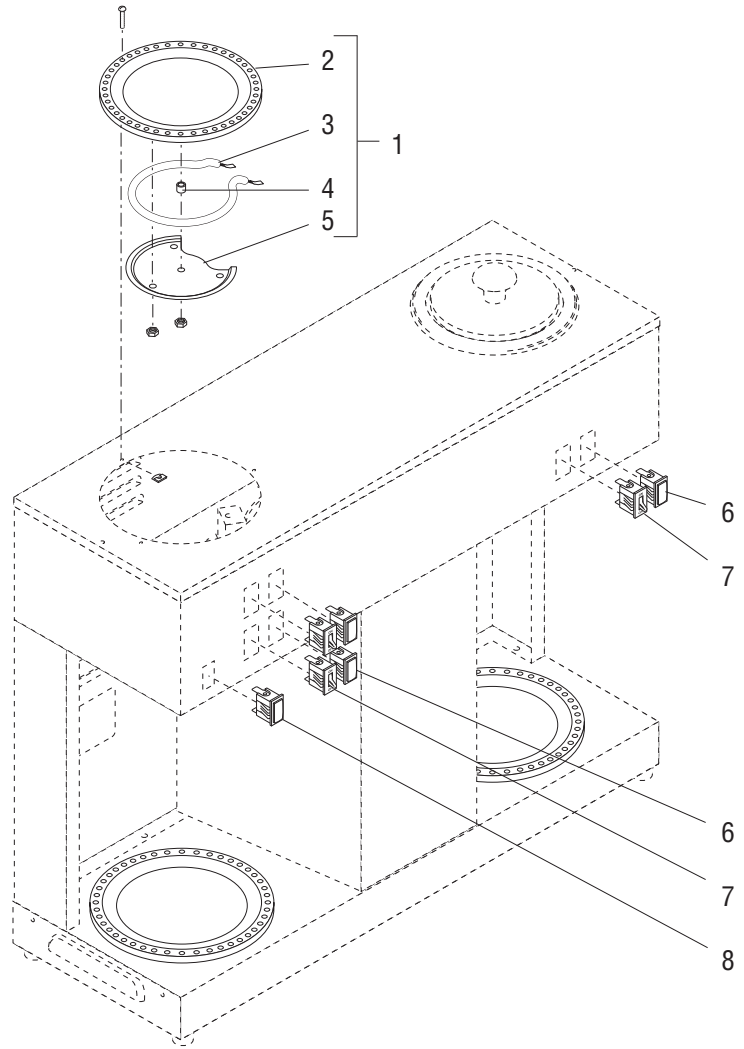
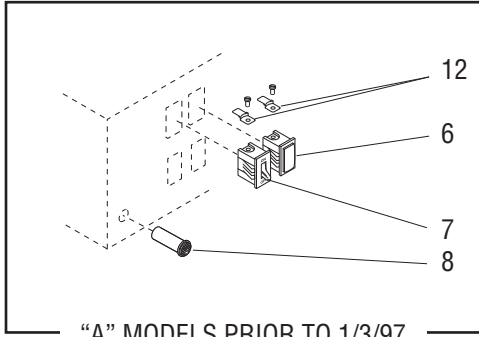
(Continued)



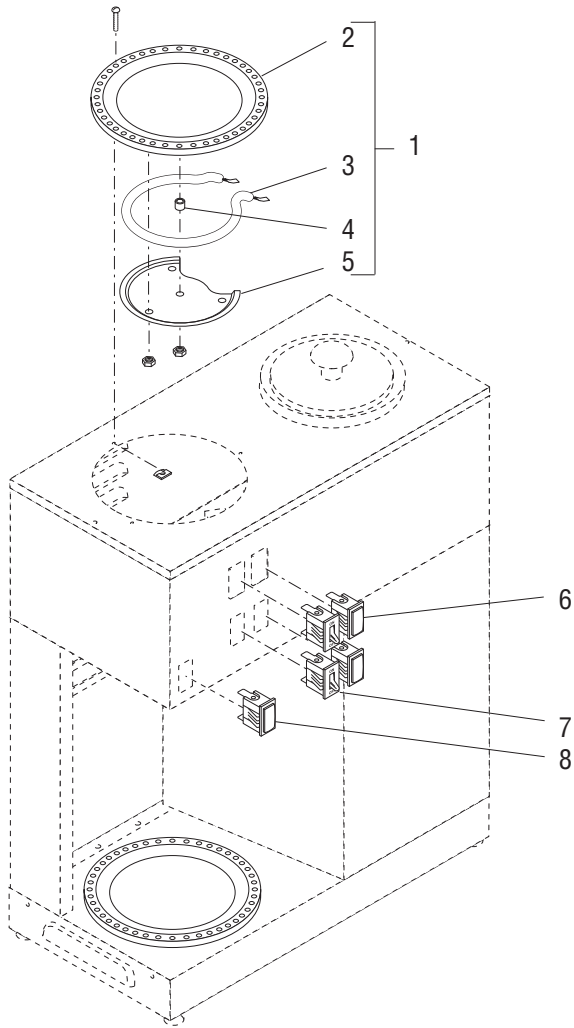


## TANK AND COMPONENTS

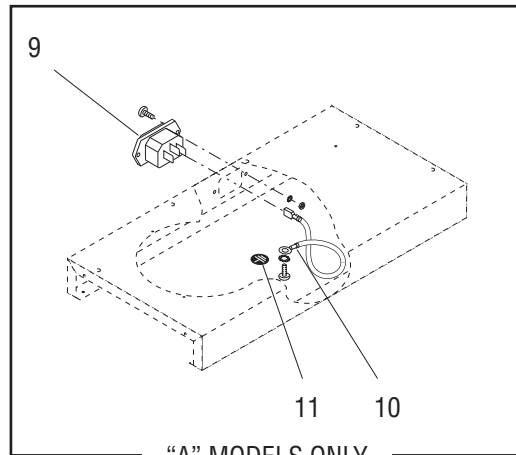
ITEM	PART NO.	QTY.	DESCRIPTION
21	21016.0006	1	Lead, Elec - Blk 10" Terminal Block to Control Thermostat (VPR-VPS also VPRA-VP SA prior to 1/3/97)
	21016.0244	1	Lead, Elec - Blk 10" Terminal Block to Control Thermostat (VPRA-VP SA Effective 1/3/97)
22	21016.0007	1	Lead, Elec - Blu/Blk 23" Control Thermo to Limit Thermostat(VPR-VPS also VPRA-VP SA prior to 1/3/97)
	21016.0029	1	Lead, Elec - Blu/Blk 23" Control Thermo to Limit Thermostat (VPRA-VP SA Effective 1/3/97)
23	21016.0008	1	Lead, Elec - Blk 4" Limit Thermo to Tank Heater (VPR-VPS only)
24	04776.0000	2	Thermal Cut-Off W/Lead Assembly (VPRA-VP SA only)



**VPS -VPSA**



**VPR - VPRA**



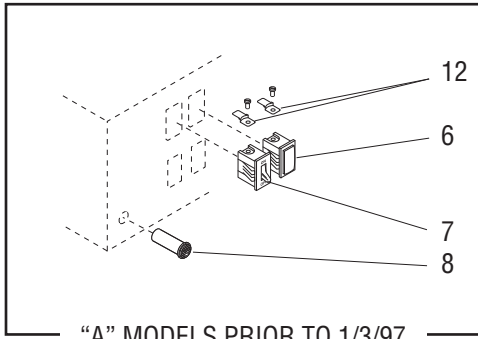
## ELECTRICAL AND OPERATING CONTROLS

ITEM	PART NO.	QTY.	DESCRIPTION	
			* VPR - VPRA	
			** VPS - VPSA	
		* **		
1	03625.0000*	2 3	Warmer Assembly, Brn 100W 120V	Includes Items 2 thru 5
	03652.0000	2 3	Warmer Assembly, Blk 100W 120V	
	01973.0000*	2 3	Warmer Assembly, Brn 100W 220V	
	02817.0000	2 3	Warmer Assembly, Blk 100W 220V	
	01303.0000	6 9	Screw, Pan Head #4-40 x .50"	
	00916.0000	6 9	Fastener, J-Type	
2	03655.0000*	1 1	Warmer Dish, Brn	
	03656.0000	1 1	Warmer Dish, Blk	
3	01227.0000	1 1	Warmer Element, 100W 120V (Shown)	
	01951.0000	1 1	Warmer Element, 100W 220V (Not illustrated)	
4	13042.0001	1 1	Spacer, .174" I.D. .188" (120V Warmers only)	
5	05212.0000	1 1	Plate, Warmer Retainer	
	00970.0000	2 2	Nut, Keps #8-32	
6	04226.0000*	2 3	Lamp, Brn 125V	
	04226.0002	2 3	Lamp, Blk 125V	
	01089.0001	2 3	Lamp, Blk 240V (Prior to 1/3/97 on "A" models only)	
	27691.0000	2 3	Lamp, Blk 240V (Effective 1/3/97 on "A" models only)	
7	04225.0000*	2 3	Switch, On/Off Toggle - Brn	"A" models only
	04225.0002	2 3	Switch, On/Off Toggle - Blk	
	01186.0000	2 3	Switch, On/Off Toggle (Prior to 1/3/97)	
	27689.0000	2 3	Switch, On/Off Toggle (Effective 1/3/97)	
8	01905.0000	1 1	Lamp, Power-On 220V (Prior to 1/3/97) (Round)	
	27691.0000	1 1	Lamp, Power-On 220V (Effective 1/3/97) (Rect)	
9	01908.0000	1 1	Power Connector, 10A 250V	
	01362.0000	2 2	Screw, Oval Head #4-40 x .50"	
	01509.0000	2 2	Lock washer, External Tooth, # 4	
	00937.0000	2 2	Nut, Hex #4-40	
10	-----	1 1	Lead, Ground Grn/Yel (Not Available)	"A" models only
	01375.0000	1 1	Pan Head (Brass) #10-32 x .50"	
	01512.0000	1 1	Lock washer, External Tooth #10	
11	00824.0000	1 1	Decal, Ground	
12	01667.0000	8 12	Terminal, .25"	
Note: The following items are not illustrated				
13	21016.0011	1 1	Lead, Ground - Grn/Yel (Upper Warmer)	
	21016.0012	1 2	Lead, Ground - Grn/Yel (Lower Warmer)	
14	01637.0000	1 1	Cord Assembly, Power (VPR, VPS)	
	01311.0000	1 1	Screw, Truss Head #8-32 x .25"	
	01511.0000	1 1	Lock washer, External Tooth #8	
	00970.0000	1 1	Nut, Keps #8-32	
	01716.0000	1 1	Cord Assembly, Power (VPRA, VPSA)	
	02337.0000	1 1	Screw, Zinc Pltd. "AB" #10-32 x .38"	

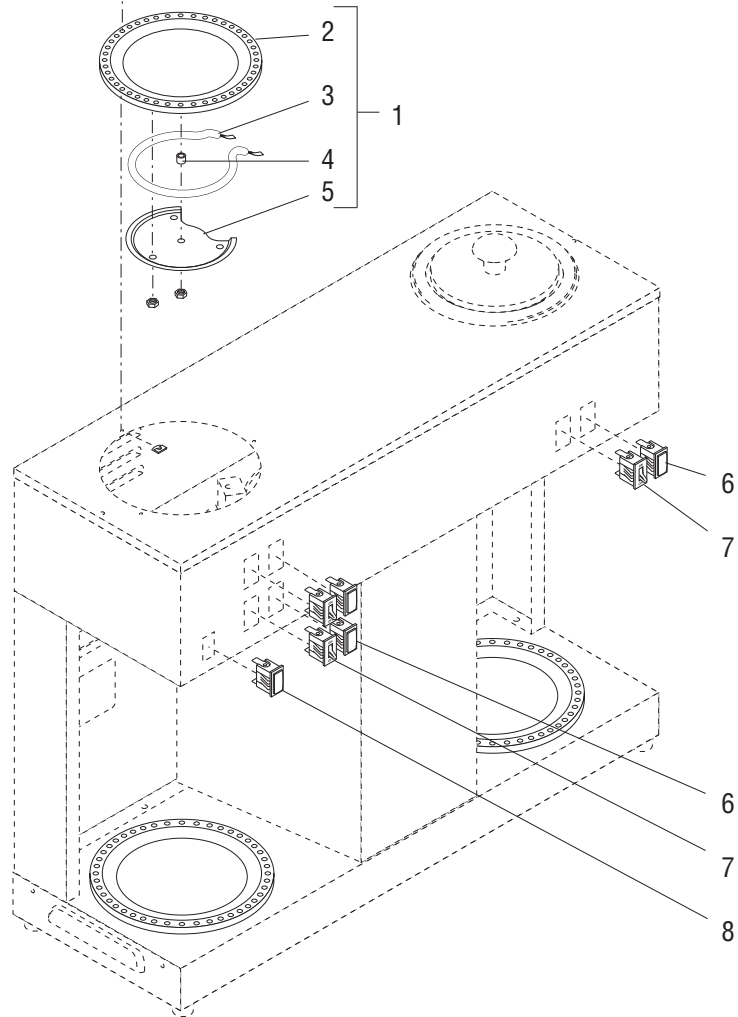
(Continued)

\* Indicates the part number listed is obsolete with no replacement.

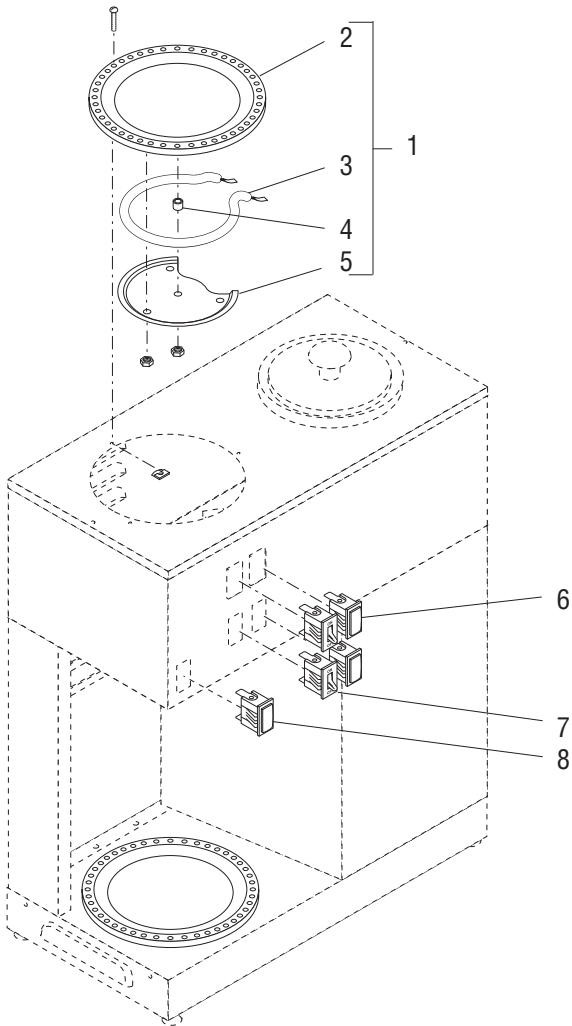
(Continued)



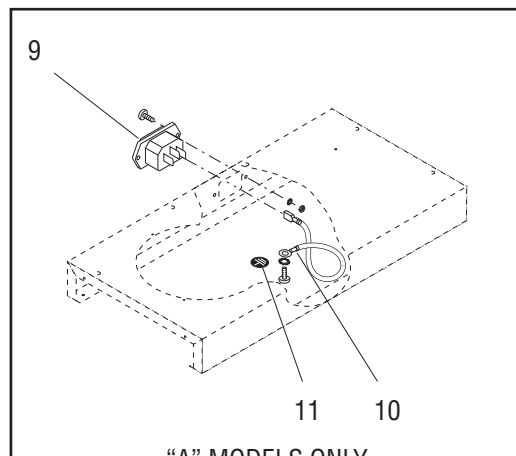
"A" MODELS PRIOR TO 1/3/97



**VPS -VPSA**



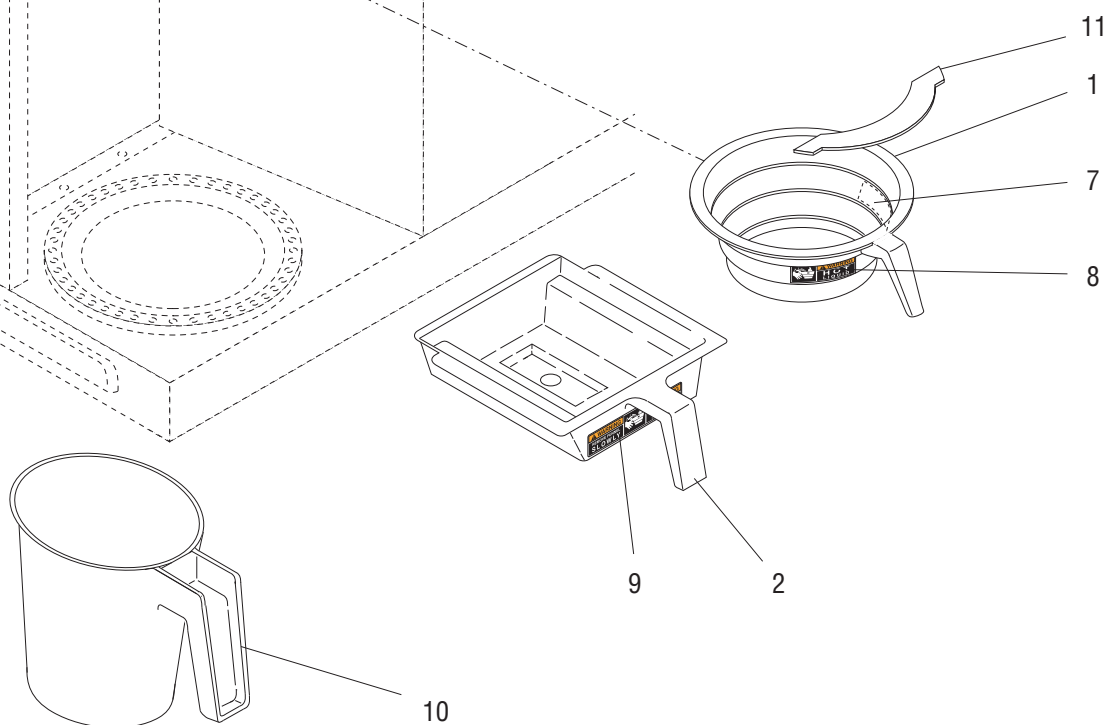
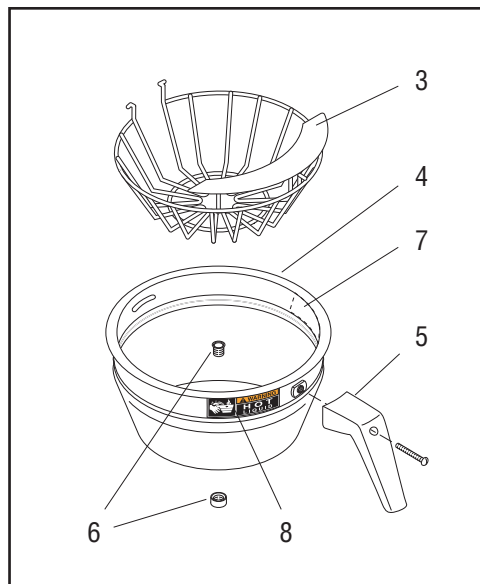
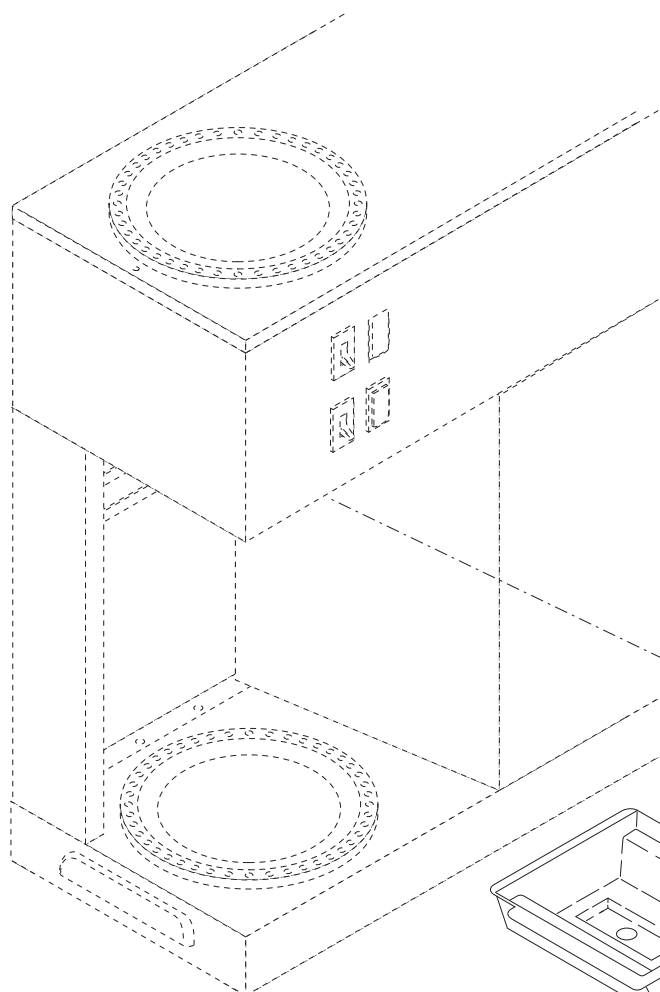
**VPR - VPRA**



"A" MODELS ONLY

## ELECTRICAL AND OPERATING CONTROLS

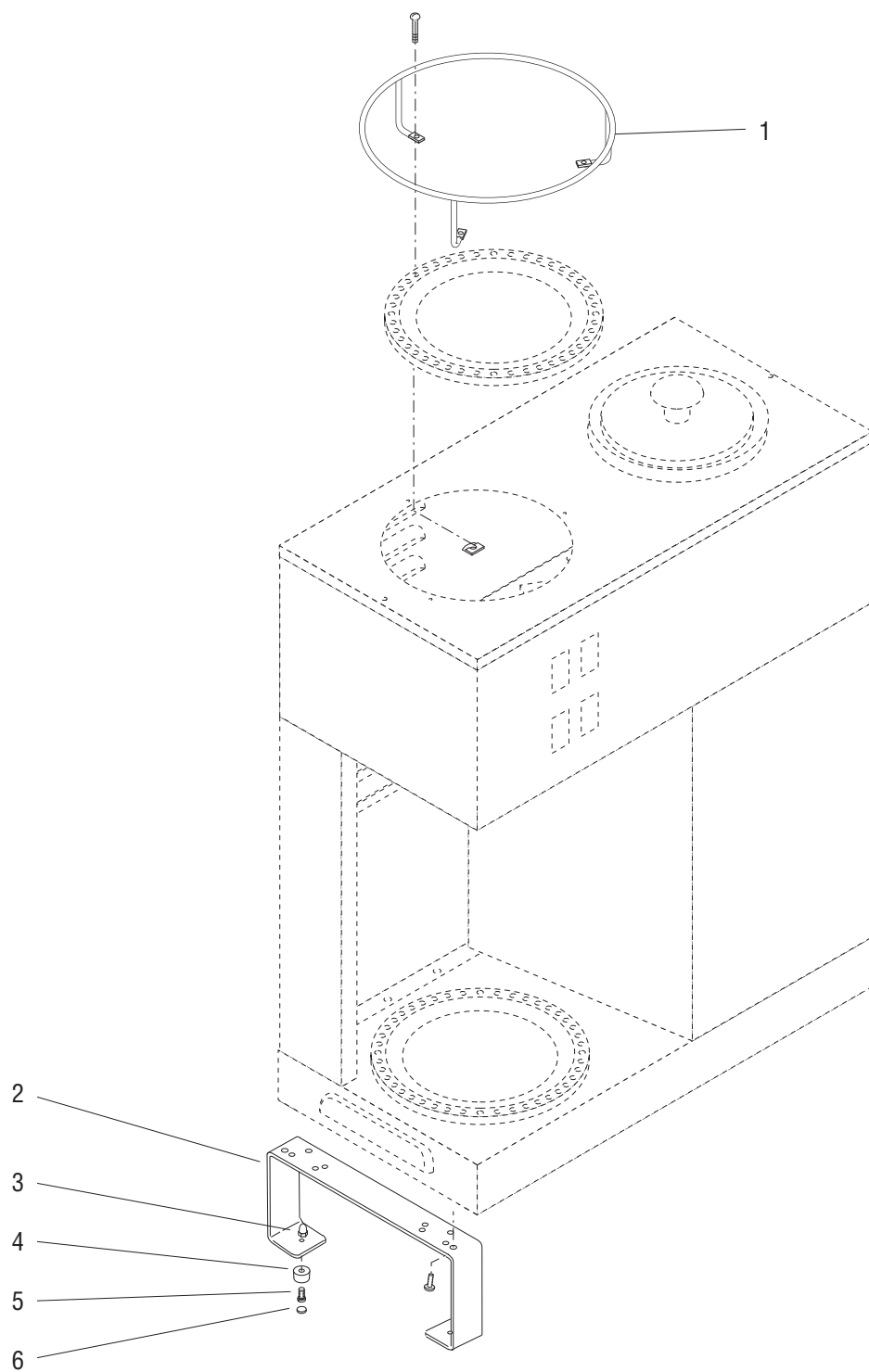
ITEM	PART NO.	QTY.	DESCRIPTION
15	01854.0000	1 -	Wiring Harness, 120V (VPR)
	01898.0000	- 1	Wiring Harness, 120V (VPS)
	01901.0000	1 -	Wiring Harness, 240V (VPRA)
	01899.0000	- 1	Wiring Harness, 240V (VPSA)
16	21000.0031	1 1	Lead, Elec - Blk 7.5" (Power Light to Top Warmer Switch) (Prior to 1/3/97 on "A" models only)
	21000.0061	1 1	Lead, Elec - Blk 7.5" (Power Light to Top Warmer Switch) (Effective 1/3/97 on "A" models only)
17	21005.0016	1 1	Lead, Elec - Red/Blk 8.5" (Power Light to Top Warmer Light) (Prior to 1/3/97 on "A" models only)
	21003.0066	1 1	Lead, Elec - Red 8.5" (Power Light to Top Warmer Light) (Effective 1/3/97 on "A" models only)
18	06064.0000	1 1	Label. Cord Warning



## FUNNELS, PITCHER AND FILTER BASKET

ITEM	PART NO.	QTY.	DESCRIPTION
1	20583.0003	1	Funnel W/Decals, Plastic - Blk
	20583.0004*	1	Funnel W/Decals, Plastic - Brn
	20583.0006	1	Funnel W/Decals, Plastic - Orn
	20216.0000	1	Funnel, SST W/Black Handle (7.125" Dia.) (Includes Items 3 thru 8)
	20216.0001	1	Funnel, SST W/Orange Handle (7.125" Dia.) (Includes items 3 thru 8)
2	02774.0010	1	Funnel W/Decals, Pouch Pack - Brn (Small)
	02774.0011	1	Funnel W/Decals, Pouch Pack - Blk (Small)
	04274.0010	1	Funnel W/Decals, Pouch Pack - Brn (Large)
	04274.0012	1	Funnel W/Decals, Pouch Pack - Blk (Large)
3	33088.0000	1	Filter Basket w/Splash Guard
4	28553.0000	1	Funnel, SST (Includes items 7 & 8)
5	20244.1000	1	Handle, Black
	20244.1001	1	Handle, Orange
	01331.0002	1	Screw, Round Head 10-32 x 1.50"
6	01031.0000	1	Funnel Tip Kit
7	03408.0002	1	Decal, Warning-Remove Funnel
8	03409.0002	1	Decal, Warning-Hot Liquid
9	28694.0000	1	Decal, Warning-Hot Liquid/Remove Funnel
10	04238.0000	1	Pitcher, 64 oz - Plastic
11	32964.0000	1	Splash Guard

\* Indicates the part number listed is obsolete with no replacement.





## GALLEY KIT

ITEM	PART NO.	QTY.	DESCRIPTION
-	24783.0000	1	Galley Kit (Includes items 1, 2, 3 & 5)(VPR-VPRA)
-	24783.0001	1	Galley Kit (Includes items 1, 2, 3 & 5)(VPS-VPSA)
1	24730.0000	2	Galley Rail, SST (One Additional Used On VPS and VPSA Brewers)
	01303.0000	3	Screw, Pan Head (SST) 4-40 x .50"
	00916.0000	3	Fastener, J-Type (SST) 4-40
2	02776.0000	2	Leg, Extension - 3.50HT
	02332.0002	4	Screw, Hex-Crimptite 6-32 x .38"
3	02324.0000	4	Nut, Acorn (SST) 8-32
4	03995.0000	4	Foot, Rubber
5	01390.0000	4	Screw, Round Head - Phillip (SST) 8-32 x .62"
6	03992.0000	4	Plug, Foot

## NUMERICAL INDEX

PART NO.	PAGE NO.	PART NO.	PAGE NO.	PART NO.	PAGE NO.	PART NO.	PAGE NO.
00658.0000.....	5,7	01716.0000.....	19	04270.0000.....	13	21016.0029.....	17
00720.0000.....	15	01854.0000.....	21	04272.0002.....	7	21016.0049.....	15
00721.0000.....	9,11	01898.0000.....	21	04273.1000.....	7	21016.0244.....	17
00725.0000.....	9,11	01899.0000.....	21	04274.0010.....	23	21137.0000.....	9
00824.0000.....	7,19	01901.0000.....	21	04274.0012.....	23	21137.0001.....	9
00831.0000.....	5,7	01905.0000.....	19	04307.0000.....	15	21138.0000.....	11
00833.0000.....	9,11	01906.0000.....	9,11	04309.0000.....	15	21138.0001.....	11
00835.0000.....	9,11	01908.0000.....	19	04776.0000.....	17	24730.0000.....	25
00908.0000.....	9,11,15	01925.1000.....	15	05212.0000.....	19	24783.0000.....	25
00912.0000.....	9,11	01927.0000.....	15	05515.0000.....	15	24783.0001.....	25
00916.0000.....	9,11,19,25	01951.0000.....	19	05518.0000.....	15	25130.0000.....	9
00937.0000.....	19	01973.0000.....	19	05545.0000.....	15	25131.0000.....	9
00942.0000.....	15	02324.0000.....	5,7,25	05555.0002.....	15	25131.0001.....	9
00943.0000.....	15	02332.0002.....	5,7,25	05697.0006.....	15	25131.0002.....	9
00952.0000.....	9,11	02337.0001.....	19	06064.0000.....	21	25131.0003.....	9
00970.0000.....	9,11,15,19	02564.0002.....	9,11	06202.1000.....	5	25132.0000.....	5
00978.0000.....	5,7,9,11	02592.0000.....	9,11	06203.0000.....	5	25132.0001.....	5
01031.0000.....	23	02774.0010.....	23	06204.0000.....	5	25154.0000.....	7
01075.0000.....	15	02774.0011.....	23	06204.0003.....	5	25154.0001.....	7
01082.0000.....	15	02776.0000.....	5,7,25	06220.0000.....	13	25155.0000.....	11
01082.0005.....	15	02793.0000.....	9,11	07073.1000.....	15	25156.0000.....	11
01082.0006.....	15	02794.0000.....	9,11	10049.0000.....	11	25156.0001.....	11
01089.0001.....	19	02817.0000.....	19	10050.0000.....	9	27689.0000.....	19
01109.0000.....	9,11	02871.0000.....	9,11	11424.0000.....	13	27691.0000.....	19
01186.0000.....	19	03408.0002.....	23	12364.0000.....	5,7,9,11	27694.0000.....	9
01212.0001.....	13	03409.0002.....	23	13042.0001.....	19	27695.0000.....	11
01201.0000.....	13	03625.0000.....	19	20216.0000.....	23	27701.0000.....	9
01227.0000.....	19	03652.0000.....	19	20216.0001.....	23	27701.0001.....	9
01303.0000.....	9,11,19,25	03655.0000.....	19	20244.1000.....	23	27702.0000.....	11
01311.0000.....	5,7,9	03656.0000.....	19	20244.1001.....	23	27702.0001.....	11
01311.0000.....	11,15,19	03992.0000.....	5,7,25	20264.0000.....	15	27706.0000.....	15
01315.0000.....	9,11,15	03995.0000.....	5,7,25	20583.0003.....	23	28319.0000.....	15
01318.0000.....	9,11	04118.0000.....	15	20583.0004.....	23	28553.0000.....	23
01331.0002.....	23	04119.0001.....	15	20583.0006.....	23	28694.0000.....	23
01362.0000.....	19	04133.0000.....	15	20762.0000.....	15	29329.1000.....	15
01375.0000.....	19	04198.0001.....	5,7	21000.0031.....	21	32964.0000.....	23
01382.0000.....	9,11	04203.0000.....	7	21000.0061.....	21	33088.0000.....	23
01390.0000.....	5,7,15,25	04204.0000.....	7	21003.0066.....	21	34435.0001.....	9,11
01509.0000.....	19	04221.0000.....	15	21005.0016.....	21	34436.0001.....	9,11
01511.0000.....	5,7,19	04225.0000.....	19	21016.0005.....	15	37454.0000.....	7
01512.0000.....	19	04225.0002.....	19	21016.0006.....	17	37881.0000.....	9,11
01637.0000.....	19	04226.0000.....	19	21016.0007.....	17	38325.0000.....	9
01663.0000.....	5,7	04226.0002.....	19	21016.0008.....	17	38497.1000.....	9,11
01667.0000.....	19	04236.1000.....	15	21016.0011.....	19		
01686.0000.....	5,7	04238.0000.....	23	21016.0012.....	19		