



# THERMAL FRESHTRAC™ (TFT) 1.5 GALLON AND 1.0 GALLON DISPENSERS

MODEL: TFT15G, TFT15G2, TFT15G3, TFT1G, TFT1G2, TFT1G3



**TFT15G** (Lockable Base)  
**TFT15G3** (Non-Lockable Base)  
1.5 Gallon Thermal FreshTrac™  
Dispenser



**TFT1G** (Lockable Base)  
**TFT1G3** (Non-Lockable Base)  
1.0 Gallon Thermal FreshTrac™  
Dispenser



**TFT15G2**  
1.5 Gallon Thermal FreshTrac™  
Dispenser without Base



**TFT1G2**  
1.0 Gallon Thermal FreshTrac™  
Dispenser without Base

## CURTIS THERMAL FRESHTRAC™

### SIGNALS, MONITORS, AND MANAGES COFFEE QUALITY & VOLUME

The key to a well executed coffee program is consistently serving hot, fresh coffee every time. Monitoring the holding time and the amount of coffee in a dispenser is crucial to freshness and quality. Without proper management, coffee can get cold or stale from sitting too long. Even worse, dispensers can run out and customers have to wait for a new brew.

Curtis' Thermal FreshTrac™ is a simple visual system that communicates time and volume that's easy to see, even from across the room. The FreshTrac™ system is activated from the moment coffee is brewed into the dispenser to keep your coffee program on track.

### FEATURES AT A GLANCE

- **Twin LEDs** — Enables you to easily check coffee quality – even from across the room
- **Stand Alone Operation** — Curtis TFT requires no connection with the brewing system
- **Universal Fit** — Curtis TFT is designed to fit existing models of Curtis Thermal Servers.
- **Brew-Through Convenience** — Maintains coffee flavor, temperature and quality
- **Long Service Life** — Curtis TFT high-tech power module features a one-year performance guarantee

### HOW IT WORKS

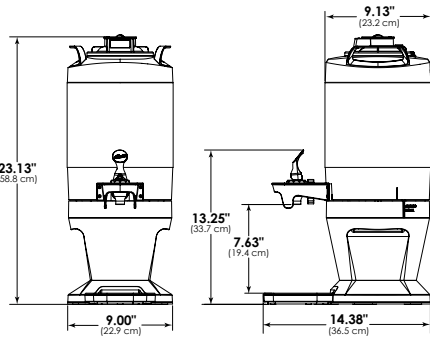
Thermal FreshTrac™ coffee dispensers use a lid that has a combination gauge containing three indicators:



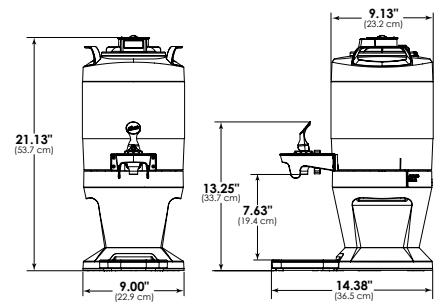
1. **Liquid Level** — At-a-glance you can easily see how much coffee is in the dispenser so you know when it is time to brew again.
2. **Coffee Quality Timer** — The digital time display can be programmed to count up or down so holding time can be monitored easy and efficiently.
3. **Active LED Light Display:**

- **Wake Up Mode (Green-Red-Green):** Once the brew cycle has started, two LED lights flash green-red-green to indicate the TFT has been activated
- **Coffee is Fresh (Green):** The TFT continues to flash green every 6 seconds to communicate that the coffee is fresh and the dispenser has more than 24 ounces in it. The Green LED is set to blink for 1 hour and 50 minutes
- **Warning Mode (Green-Red-Green):** The LED lights flash green-red-green every 6 seconds when it is 10 minutes prior to expiration or when the coffee level between 12 and 24 ounces
- **Time is Expired and/or Dispenser is (nearly) Empty (Red):** The light flashes red every 6 seconds for 60 minutes when the timer has expired or the dispenser is empty or nearly empty (less than 12 ounces)

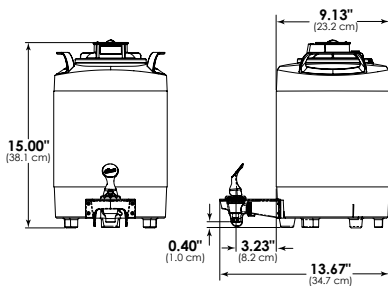
**TFT15G/TFT15G3**  
1.5 Gallon Dispenser  
with Base



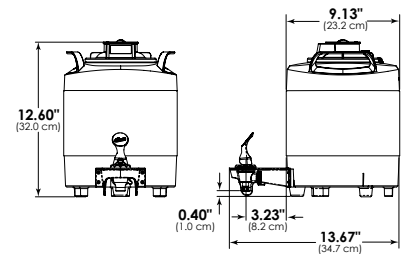
**TFT1G/TFT1G3**  
1.0 Gallon Dispenser  
with Base



**TFT15G2**  
1.5 Gallon Dispenser  
without Base



**TFT1G2**  
1.0 Gallon Dispenser  
without Base



## Specifications

MODEL #	DESCRIPTION	CAPACITY	HEIGHT	WIDTH	DEPTH	SHIP WEIGHT	SHIP CUBE
TFT15G	1.5 Gallon Thermal FreshTrack™ Dispenser with Lockable Base	1.5 Gallon	23.13"	9.13"	14.38"	15.0 lbs.	2.30 cu. ft.
TFT15G2	1.5 Gallon Thermal FreshTrack™ Dispenser without Base	1.5 Gallon	15.00"	9.13"	13.67"	12.0 lbs.	2.05 cu. ft.
TFT15G3	1.5 Gallon Thermal FreshTrack™ Dispenser with Non-Lockable Base	1.5 Gallon	23.13"	9.13"	14.38"	15.0 lbs.	2.30 cu. ft.
TFT1G	1.0 Gallon Thermal FreshTrack™ Dispenser with Lockable Base	1.0 Gallon	21.13"	9.13"	14.38"	15.0 lbs.	2.30 cu. ft.
TFT1G2	1.0 Gallon Thermal FreshTrack™ Dispenser without Base	1.0 Gallon	12.60"	9.13"	13.67"	11.0 lbs.	2.05 cu. ft.
TFT1G3	1.0 Gallon Thermal FreshTrack™ Dispenser with Non-Lockable Base	1.0 Gallon	21.13"	9.13"	14.38"	15.0 lbs.	2.30 cu. ft.

SPECIFICATIONS SUBJECT TO CHANGE WITHOUT NOTICE



**WILBUR CURTIS CO., INC.**  
6913 Acco Street, Montebello, CA 90640-5403  
Telephone: 800-421-6150 • 323-837-2300  
Fax: 323-837-2406  
www.wilburcurtis.com

