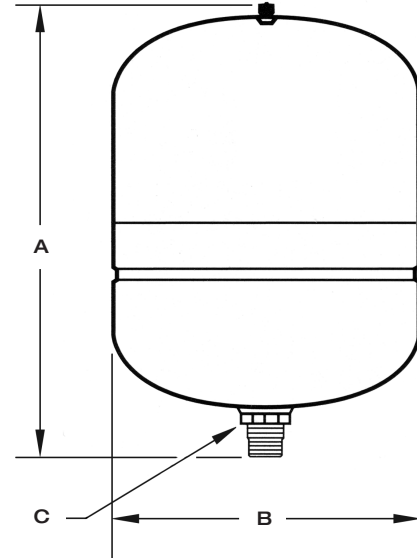




MATERIALS OF CONSTRUCTION

- **Tank:** 16 gauge cold rolled steel
- **Finish:** Appliance quality paint for indoor or outdoor installation
- **Water chambers:** 100% butyl rubber, virgin polypropylene liner
- **Connection:** Stainless Steel
- **Testing:** High pressure, seam weld, helium, final precharge check
- **Air valve:** Brass valve with o-ring seal
- **Warranty:** Five year



DIMENSIONS & CAPACITIES - INLINE MODELS

| Model | Total Tank Volume | | A Height / Length | | B Diameter | | C Connection | Total Weight | |
|----------|-------------------|--------|----------------------|------|---------------|------|-----------------|--------------|-------|
| | gal | liters | in | cm | in | cm | | lbs | kilos |
| PJR 6 | 2.1 | 8 | 12.0 | 30.0 | 8.0 | 20.0 | .75" NPT | 5.0 | 2.3 |
| PJR 15 | 4.8 | 18 | 14.5 | 37.0 | 11.0 | 28.0 | .75" NPT | 10.0 | 4.6 |
| PJR 25 | 9.0 | 32 | 18.9 | 48.1 | 12.5 | 31.8 | .75" NPT | 15.4 | 7.0 |
| PJR 44IL | 14.0 | 53 | 19.75 | 50.0 | 15.3 | 39.0 | 1" NPT | 23.3 | 10.6 |

DIMENSIONS & CAPACITIES - HORIZONTAL MODELS

| | | | | | | | | | |
|---------|------|----|------|------|------|------|----------|------|------|
| PJR 20S | 5.3 | 20 | 17.5 | 44.4 | 11.4 | 28.9 | .75" NPT | 13.3 | 6.0 |
| PJR 25S | 8.5 | 32 | 18.9 | 48.1 | 12.5 | 31.8 | .75" NPT | 15.4 | 7.0 |
| PJR 44S | 14.0 | 53 | 20.8 | 52.8 | 16.3 | 41.4 | .75" NPT | 27.0 | 12.3 |
| PJR 66S | 20.0 | 80 | 28.5 | 72.4 | 16.3 | 41.4 | 1" NPT | 38.0 | 17.2 |

Maximum working pressure 125 psig. Maximum working temperature, internal & external 140° F. Tank pre-charge 20 psig.

QUICK SIZING CHART

| Model | Total Tank Volume | | Total Drawdown* | | | | | |
|------------|-------------------|--------|-----------------|--------|-------|--------|-------|--------|
| | gal | liters | 20/40 | | 30/50 | | 40/60 | |
| | gal | liters | gal | liters | gal | liters | gal | liters |
| PJR 6 | 2.1 | 8 | 0.8 | 2.9 | 0.7 | 2.5 | 0.6 | 2.1 |
| PJR 15 | 4.8 | 18 | 1.7 | 6.6 | 1.5 | 5.6 | 1.3 | 4.8 |
| PJR 20S | 5.3 | 20 | 1.9 | 7.3 | 1.6 | 6.2 | 1.4 | 5.4 |
| PJR 25 (S) | 9.0 | 32 | 3.1 | 11.7 | 2.6 | 9.8 | 2.3 | 8.7 |
| PJR 44 (S) | 14.0 | 53 | 5.1 | 19.3 | 4.3 | 16.4 | 3.8 | 14.2 |
| PJR 60S | 20.0 | 80 | 7.6 | 28.8 | 6.5 | 24.8 | 5.5 | 20.8 |
| PJR 44IL | 14.0 | 53 | 5.1 | 19.3 | 4.3 | 16.4 | 3.8 | 14.2 |

*Total drawdown assumes tank pre-charge set at 2 psi below cut-in pressure. Drawdown can be affected by many factors, including temperature, pressure, and elevation.

> www.flexconind.com
 > 781-986-2424
 > 300 Pond Street
 > Randolph, MA 02368

