

## AK-3/AK3-AS

The **AK** series of pour-over equipment is designed to offer years of trouble free operation while delivering a consistently great cup of fresh hot coffee with every brew. This flexible brewer family accommodates all of today's brewing vessels from traditional glass decanters to the latest in thermal dispensers, airpots and servers.

The **AK** models incorporate features such as: a traditional displacement hot water tank system, ready light incorporated for optimum brewing temperature, master on/off power switch, and durable stainless steel construction. The AK-AS models incorporate automatic warmer shut down for added safety and energy conservation.



# AK-3 / AK3-AS

Pour Over Brewer

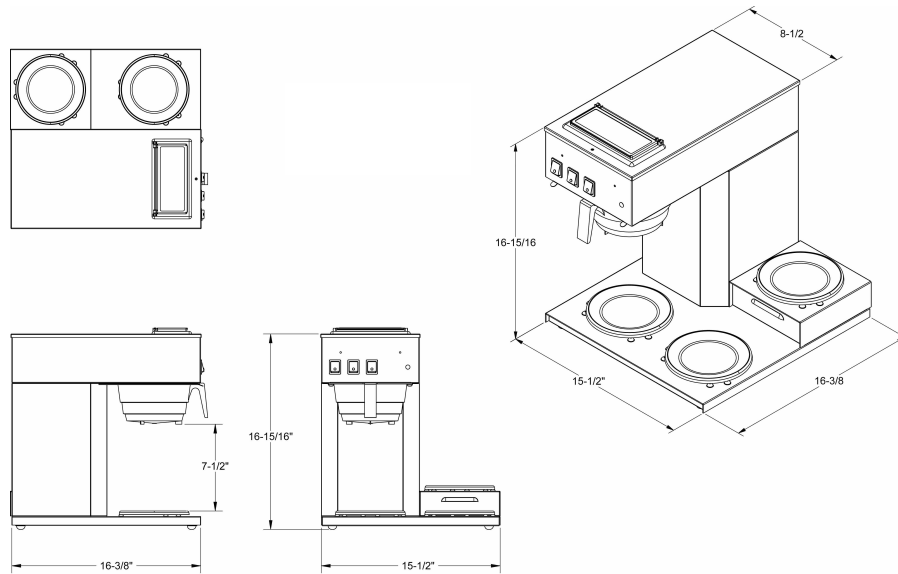
Ready light incorporated for optimum brewing temperatures.

Durable stainless steel construction.

Master power switch.

Private Labeling Available for brewer face-plate.

On AK-AS models, automatic warmer shut down is adjustable from 30 minutes to 4 hours.



MODEL	WIDTH	DEPTH	HEIGHT	(USA)	CANADA	WEIGHT	CU.FT.
AK-3/AK3-AS	15 1/2"	16 3/8"	16 15/16"	14.6A	11.7A	28LB.	7.81