

G4 ThermoProX® 1.5 Gallon Brewers



G4TPX2S63A3100
G4 Single 1.5 Gallon Brewer
(Dispenser sold separately)



G4TPX2T10A3100
G4 Twin 1.5 Gallon Brewer
(Dispensers sold separately)

Features

Generation Four (G4) Digital Control Module – Large, 4.3” touch screen. Icon-driven interface streamlines operation.

Built-in Self Diagnostic System – Includes real-time feedback of the brewing process and energy saving mode.

Gold Cup Series™ – Digital Control Module provides precise control over all aspects of brewing: time, temperature, volume plus specialty coffee needs from pre-infusion to pulse- brewing to water bypass.

Pre-set, One-Touch Global Recipes – Based on coffee type, grind weight. Simplifies profile setting for gourmet results every time.

Single unit is field selectable for One, Two or Three Batch brewing.

Centrally located hot water spout for instant hot beverages and other hot water needs.

Recommended Dispensers (Sold Separately)

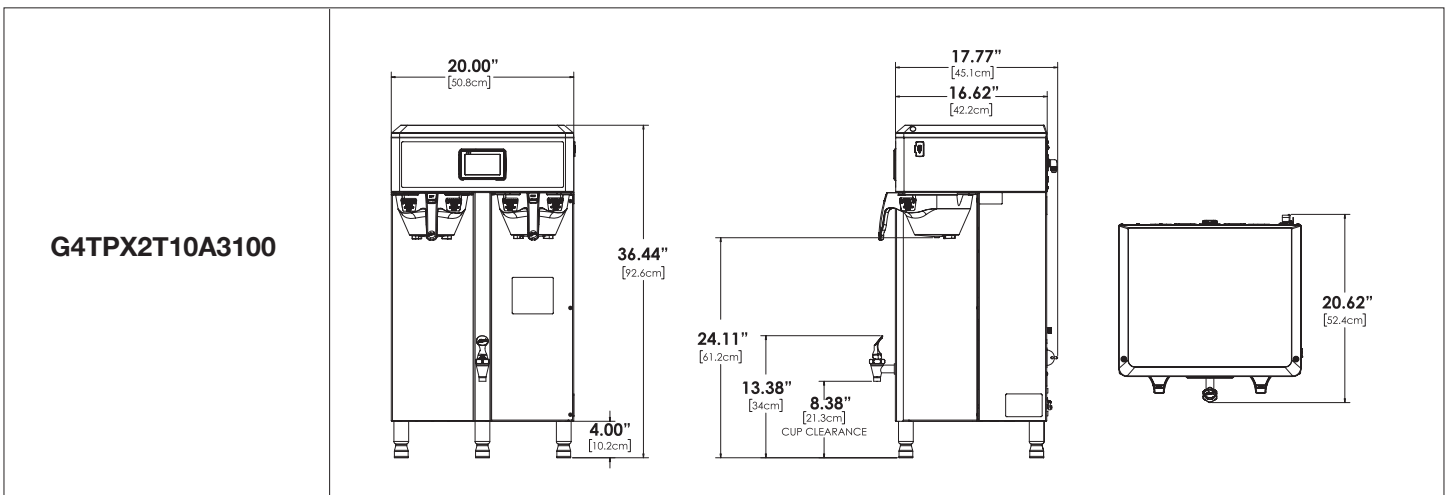
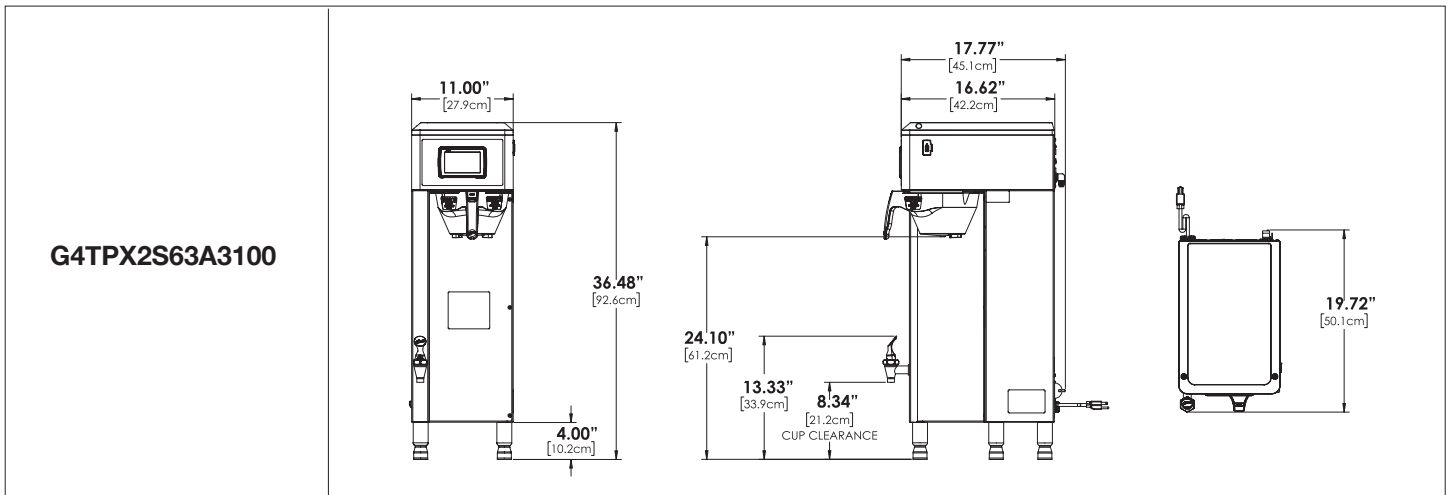


TXSG1501S600
1.5 Gal. Thermal
Dispenser



TFT15G
1.5 Gal. Thermal
FreshTrac Dispenser

G4 ThermoPro[®] 1.5 Gallon Brewers



Dimensions

MODEL#	DESCRIPTION	HEIGHT x WIDTH x DEPTH	BREWED FILL WEIGHT	BREWED G/HR
G4TPX2S63A3100	G4 ThermoPro [®] Single 1.5 Gallon Brewer	36.48" x 11.00" x 19.72"	77.2 lbs.	4.5/12.0
G4TPX2T10A3100	G4 ThermoPro [®] Twin 1.5 Gallon Brewer	36.44" x 20.00" x 20.62"	132.6 lbs.	15.0/21.0

Utility Requirements

MODEL#	PHASE	VOLTS	AMPS	ELECTRICAL				WATER			
				HEAT CONFIG	WIRE	WATTS	HERTZ	CONNECTOR	PRESSURE	MINIMUM FLOW RATE	TANK VOL.
G4TPX2S63A3100	1 PH	120/220V	15.0/12.7A	2 X 1600W	2W/3W + G	1800/2800W	50/60Hz	3/8" Flare	20 - 90 psi	1.0 GPM	2.9 gal
G4TPX2T10A3100	1 PH	220V	23.0/34.5A	3 X 2500W	3W + G	5100/7600W	50/60Hz	3/8" Flare	20 - 90 psi	2.0 GPM	6.9 gal



WARNING - These products can expose you to chemicals including Acrylamide and Bisphenol A (BPA), which are known to the State of California to cause cancer and birth defects or other reproductive harm. For more information visit www.P65Warnings.ca.gov